

INSTALLER GUIDE

Ultimate

Model 717

(GC No. 32-032-52)

INSET LIVE FUEL EFFECT GAS FIRE



**THIS APPLIANCE IS FOR USE WITH NATURAL GAS (G20)
WHEN CONVERTED USING CONVERSION KIT NO. 0595221 THIS
APPLIANCE IS FOR USE WITH PROPANE GAS (G31)
THIS APPLIANCE IS SUITABLE ONLY FOR INSTALLATION IN THE UNITED
KINGDOM (GB) AND THE REPUBLIC OF IRELAND (IE).**

We trust that these instructions give sufficient details to enable this appliance to be installed and maintained satisfactorily. However, if further information is required, our

Valor Technical Helpline will be pleased to help.

Telephone **08706 061 065** (National call rates apply in the United Kingdom)

In the Republic of Ireland call 0044 08706 061 065

INSTALLER: Please leave this guide with the owner

INSTALLER GUIDE

Safety First.

Valor fires are CE Approved and designed to meet the appropriate British Standards and Safety Marks.



Quality and Excellence.

At the heart of every Valor fire.

All Valor fires are manufactured to the highest standards of quality and excellence and are manufactured under a BS EN ISO 9001 quality system accepted by the British Standards Institute.



The Highest Standards

Valor is a member of the Society of British Gas Industries which works to ensure high standards of safety, quality and performance.



Careful Installation

Valor is a CORGI registered company. All our gas fires must be installed by a competent CORGI Registered Installer in accordance with our Installer Guide and should not be fitted directly on to a carpet or floor of combustible material.



Valor Heating, Erdington, Birmingham B24 9QP

www.valor.co.uk

Because our policy is one of constant development and improvement, details may vary slightly from those given in this publication

INSTALLER GUIDE

CONTENTS

Section	Heading	Page
1.	SAFETY	4
2.	APPLIANCE DATA	5
3.	GENERAL INSTALLATION REQUIREMENTS	6
4.	PACK CONTENTS	12
5.	FIREPLACE CHECK	14
	5.1 Fireplace check	14
	5.2 Fireplace Flue Pull	14
6.	IGNITION CHECK	15
7.	GAS SUPPLY CONNECTION	16
8.	PREPARING APPLIANCE FOR INSTALLATION	17
	8.1 Appliance Preparation	17
	8.2 The Flue Restrictor	18
9.	CONVECTION BOX INSTALLATION	19
	9.1 Method 1- Front Fixing to Fireplace Surround	19
	9.2 Method 2 - Cable Retention	19
	9.3 Floor Sealing	21
10.	BURNER & SUPPLY PIPE INSTALLATION	22
	10.1 Burner & Supply Pipe Installation	22
	10.2 Preliminary Burner Checks	22
	10.2.1 Lighting the burner	22
	10.2.2 Operating the burner.	22
	10.3 Reference Pressure Check	23
11.	FITTING THE FRONT SURROUND	23
12.	CERAMIC COALS INSTALLATION	24
13.	FIREFRONT CASTING8INSTALLATION	26
14.	FULL OPERATING CHECKS	26
15.	SPILLAGE & FLAME SUPERVISION CHECKS	28
	15.1 Check for Spillage	28
	15.2 Flame Supervision & Spillage Monitoring System	29
16.	FINAL REVIEW	29
17.	SERVICING & PARTS REPLACEMENT	30
	17.1 Checking the aeration setting of the burner.	31
	17.2 To Remove the Fire Front Surround	31
	17.3 To Remove the Burner Unit	32
	17.4 To Remove the Pilot Unit	32
	17.5 To Remove the gas valve	32
	17.6 To Replace the Burner	33
	17.7 To Remove the Main Burner Injector	34
	17.8 To Remove the Appliance from the Fireplace	34
18.	SHORT LIST OF SPARES	34

INSTALLER GUIDE

1. SAFETY

Installer

Before continuing any further with the installation of this appliance please read the following guide to manual handling

- The lifting weight of this appliance is 12.95 kg
- One person should be sufficient to lift the fire. If for any reason this weight is considered too heavy then obtain assistance.
- When lifting always keep your back straight. Bend your legs and not your back.
- Avoid twisting at the waist. It is better to reposition your feet.
- Avoid upper body/top heavy bending. Do not lean forward or sideways whilst handling the fire.
- Always grip with the palm of the hand. Do not use the tips of fingers for support.
- Always keep the fire as close to the body as possible. This will minimise the cantilever action.
- Use gloves to provide additional grip.
- Always use assistance if required.

INSTALLER GUIDE

2. APPLIANCE DATA

This product uses fuel effect pieces and a burner compartment rear wall containing Refractory Ceramic Fibres (RCF), which are man-made vitreous silicate fibres. Excessive exposure to these materials may cause irritation to eyes, skin and respiratory tract. Consequently, it is important to take care when handling these articles to ensure that the release of dust is kept to a minimum. To ensure that the release of fibres from these RCF articles is kept to a minimum, during installation and servicing we recommend that you use a HEPA filtered vacuum to remove any dust and soot accumulated in and around the fire before and after working on the fire. When replacing these articles we recommend that the replaced items are not broken up, but are sealed within a heavy duty polythene bag, clearly labelled as RCF waste. This is not classified as “hazardous waste” and may be disposed of at a tipping site licensed for the disposal of industrial waste. Protective clothing is not required when handling these articles, but we recommend you follow the normal hygiene rules of not smoking, eating or drinking in the work area and always wash your hands before eating or drinking. This appliance does not contain any component manufactured from asbestos or asbestos related products.

Gas	Natural (G20)	Propane (G31) *
Inlet Pressure	20mbar	37mbar
Input - Max. (Gross)	6.0kW (20,500Btu/h)	6.1kW (20,800Btu/h)
Input - Min. (Gross)	2.3kW (7,850Btu/h)	3.8kW (12,965Btu/h)
Inlet Test Pressure (Cold)	20.0 ± 1.0mbar (8.0 ± 0.4in w.g.)	37.0 ± 1.0 mbar (14.85 ± 0.4in w.g.)
Gas Connection	8mm pipe	8mm pipe
Burner Injector	Stereomatic Cat 82 - 069	Stereomatic Size 128
Pilot & Atmosphere Sensing Device	Copreci Ref. O.D.S 21500/166	Copreci Ref. O.D.S 21500/166 Fitted with RBM 180 - 02 injector
Ignition	Piezo Electric. Integral with Gas Tap	Piezo Electric. Integral with Gas Tap
Aeration	See section 17.1	Non-adjustable

* When converted using Kit 0595221

The appliance data label is located on a plate at the base of the fire. This can be seen by removing the lower hanging trim.

INSTALLER GUIDE

3. GENERAL INSTALLATION REQUIREMENTS

3.1 The installation must be in accordance with these instructions.

For the user's protection, in the United Kingdom it is the law that all gas appliances are installed by competent persons in accordance with the current edition of the Gas Safety (Installation and Use) Regulations. Failure to install the appliance correctly could lead to prosecution. The Council for the Registration of Gas Installers (CORGI) requires its members to work to recognised standards.

In the United Kingdom the installation must also be in accordance with:

All the relevant parts of local regulations.

All relevant codes of practice.

The relevant parts of the current editions of the following British Standards: -

BS 715 BS 1251 BS 1289 Part 1 BS EN 1806

BS 4543 Part 2 BS 5440 Part 1 BS 5440 Part 2 BS 5871 Part 1

BS 6461 Part 1 BS 6891

In England and Wales, the current edition of the Building Regulations issued by the Department of the

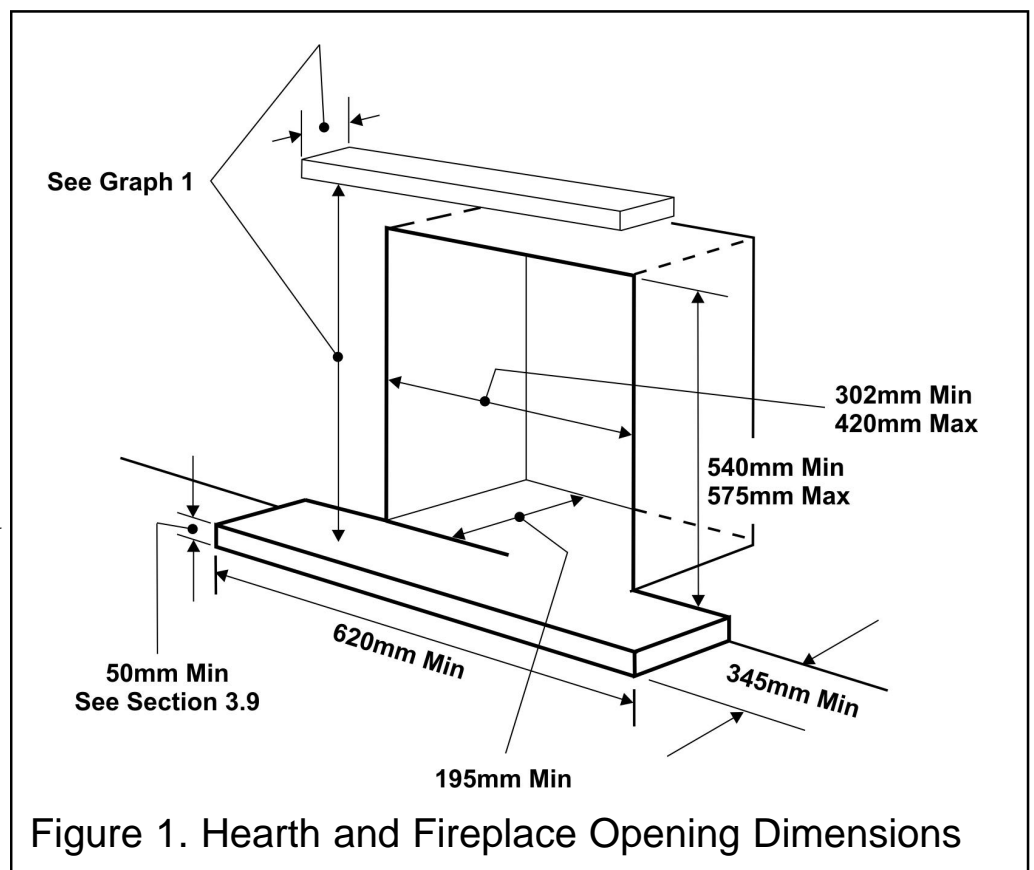
Environment and the Welsh Office

In Scotland, the current edition of the Building Standards (Scotland) Regulations issued by the Scottish Executive.

In Northern Ireland, the current edition of the Building regulations (Northern Ireland) issued by the Department of the Environment for Northern Ireland.

In the republic of Ireland the installation must be carried out by a competent person and installed in accordance with:

- a) The current edition of IS 813 "Domestic gas installations"
- b) All relevant national and local rules in force.
- c) The current building regulations



INSTALLER GUIDE

Where no specific instructions are given, reference should be made to the relevant British Standard Code of Practice.

3.2 In the United Kingdom, as supplied, this appliance can be installed in the following situations: -

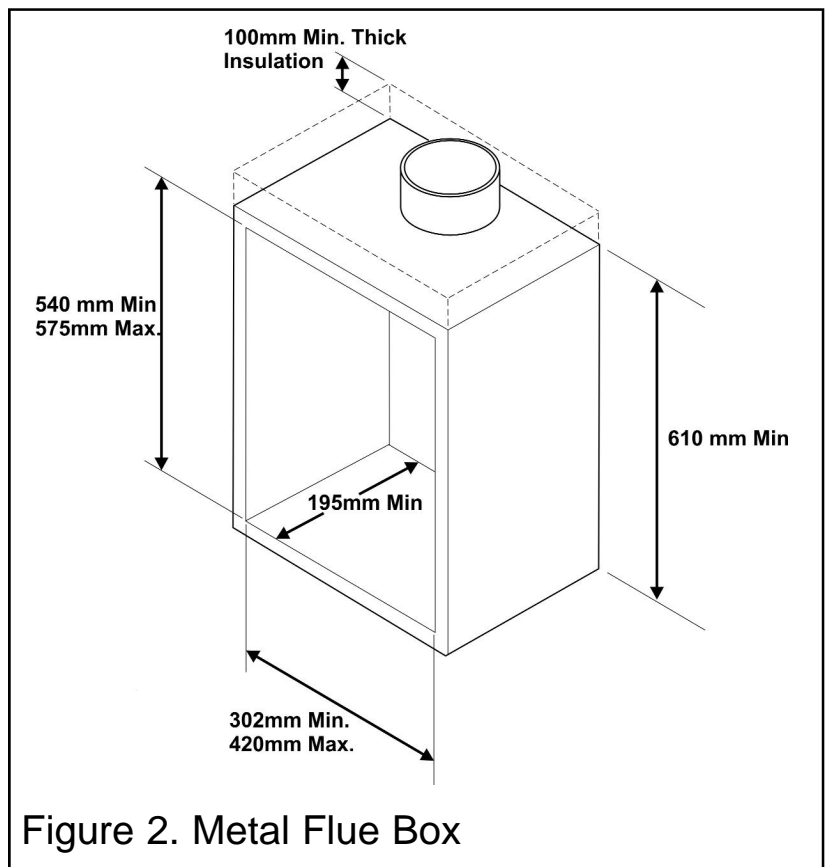
3.2.1 A masonry chimney with a minimum diameter of 175mm (7") free from any obstruction, and with any damper or restrictor plate in the chimney removed or secured, and having a minimum effective flue height of 3m (10ft). A masonry chimney having a correctly installed flue liner to BS715 and with a minimum flue diameter of 125mm is also acceptable. Chair brick removal may not be required providing at least 50mm clearance is available from the flue outlet to any fireplace component.

3.2.1.1 'Hole-in-the-wall' Installations

- **It is recommended that a hearth should be installed as in figure 1.**
- **If a hearth is not fitted, the fire must be installed so that the distance from the base of the fireplace opening in the wall to the finished floor level is at least 72mm.**

3.2.2 To a fireplace incorporating a metal flue box conforming to BS715 with a minimum internal depth of 195mm. Incombustible mineral wool insulation of not less than 100mm thickness must be applied to the top surface of the firebox (See figure 2) and it must stand on a non-combustible hearth. See figure 1.

3.2.3 To a fireplace that has a precast concrete or clay flue block system conforming to BS1289 or BS EN 1806. The appliance is suitable for installations conforming to older versions of BS1289 as well as the current edition. The flue blocks must have a minimum width not less than 63mm and a cross-sectional area not less than $13,000\text{mm}^2$. Older editions of BS1289 required a cross-sectional area of $13,000\text{mm}^2$. The current revision of the standard requires $16,500\text{mm}^2$. This appliance is suitable in both cases. The total depth of the opening measured from the finished front of the fireplace (Including plaster, surround etc.)



INSTALLER GUIDE

must be *not less than the dimension shown in figure 3*.

The current versions of BS1289 and BS EN 1806 recommend that there should be an air space or insulation between the flue blocks and the plaster because heat transfer may cause cracking on directly plastered flues. However, generally this appliance is suitable for installations under all circumstances unless there is a history of cracking problems. Remember that faults such as cracking may be caused by poorly built and restrictive flues, e.g. mortar extrusions, too many bends, flue heights below three metres, restrictive terminations, etc.

3.2.4 If the fireplace opening is greater than the acceptable dimensions given in this guide, do not use the back of a fire surround or marble to reduce the opening. This may cause cracking of the surround back or marble.

3.3 The following flues are suitable:

- 225mm x 225mm conventional brick flue.

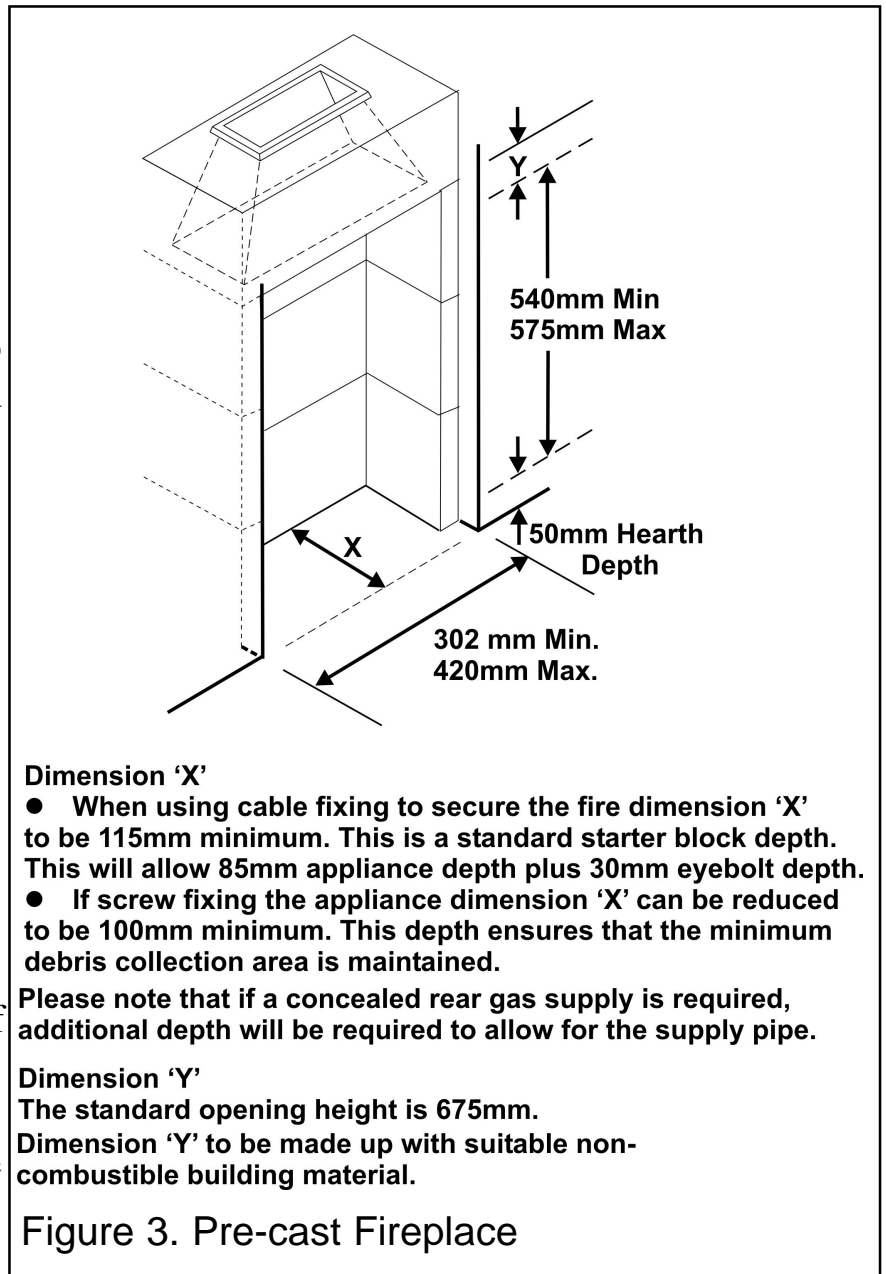
If a flue liner is used, it must be a minimum of 125mm diameter. The liner must be sealed to the surrounding area above the fireplace opening and to the top of the chimney. An approved terminal must be fitted.

- 200mm diameter factory made insulated flue manufactured to BS 4543.

- A properly constructed precast flue conforming to B.S 1289 or BS EN 1806.
- A flue pipe with a minimum diameter of 175mm. See B.S 6461 Part 1 for suitable materials. Metal flue pipes must comply with B.S 715.
- Single wall, twin wall or flexible flue liner of minimum diameter 125mm. The materials used are stainless steel or aluminium as specified in B.S. 715.

3.3.1 The minimum effective height of the flue must be 3m.

3.3.2 The flue must be clear of any obstruction and its base must be clear of debris.



INSTALLER GUIDE

3.3.3 The flue must be completely sealed so that combustion products do not come into contact with combustible materials outside the chimney.

3.3.4 The flue must serve only one fireplace.

3.4 The flue must conform to BS 5440: Part 1 in design and installation.

The flue, measured from the bottom of the fireplace opening to the bottom of the terminal, shall be not less than 3m in actual vertical height. When calculated in accordance with BS 5440: Part 1 Annex A, the minimum **equivalent** height of the flue shall be 2.0m of 125mm dia. flue pipe.

3.5 The flue must not be used for any other appliance or application.

3.6 Any chimney dampers or restrictors should be removed. If removal is not possible they must be fixed in the open position.

3.7 If the appliance is intended to be installed to a chimney, which was previously used for solid fuel, the flue must be swept clean prior to installation. All flues should be inspected for soundness and freedom from blockages.

3.8 If the fireplace opening is an underfloor draught type, it must be sealed to stop any draughts.

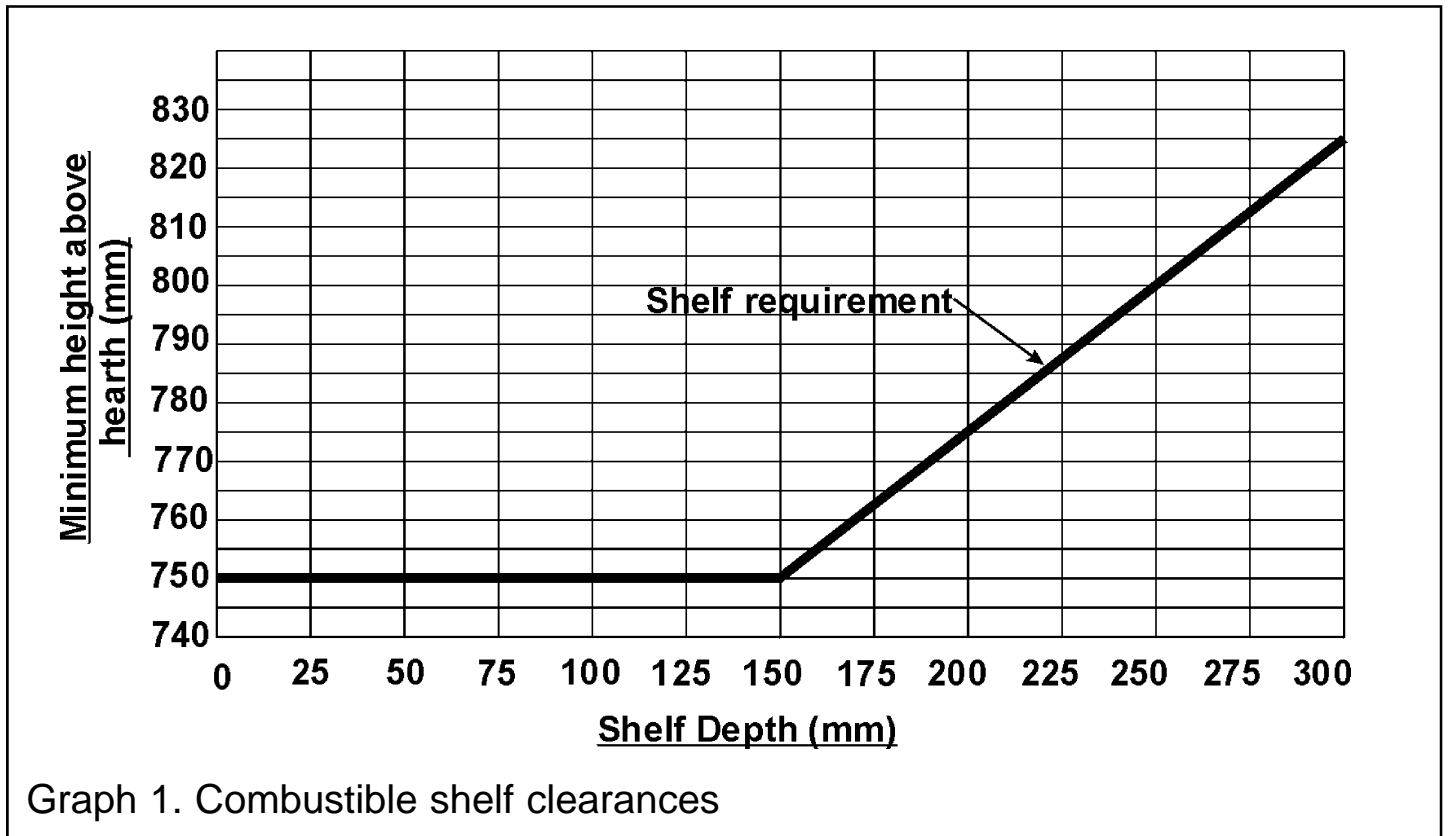
3.9 The appliance must be mounted behind a non-combustible hearth (N.B. conglomerate marble hearths are considered as non-combustible). The appliance can be fitted to a purpose made proprietary class “O”-150°C surround. The hearth material must be at least 12mm thick. The periphery of the hearth (or fender) should be at least 50mm above floor level to discourage the placing of carpets or rugs over it. The appliance must not stand on combustible materials or carpets (See figure 1).

3.10 The front face of the fireplace should be reasonably flat over the area covered by the convector box top and side flange seals to ensure good sealing. These faces should be made good if necessary. The fireplace floor should be reasonably flat to ensure that a good seal with the convector box can be made.

INSTALLER GUIDE

3.11 The minimum height from the top surface of the hearth to the underside of any shelf made from wood or other combustible materials is detailed below.

- For a shelf up to 150mm deep: Minimum height = 750mm.
- For a shelf deeper than 150mm: 150mm + 12.5mm for every 25mm depth over 150mm. (See Graph 1)



3.12 Note that soft wall coverings (e.g. embossed vinyl, etc.) are easily affected by heat. They may scorch or become discoloured when close to a heating appliance. Please bear this in mind when installing.

3.13 The appliance must not be installed in any room, which contains a bath, or shower or where steam is regularly present.

3.14 An extractor fan may only be used in the same room as this appliance, or in any area from which ventilation for the appliance is taken, if it does not affect the safe performance of the appliance. Note the spillage test requirements detailed further on in this manual. If the fan is likely to affect the appliance, the appliance must not be installed unless the fan is permanently disconnected.

3.15 Normal adventitious ventilation is usually sufficient to satisfy the ventilation requirements of this appliance. In GB reference should be made to BS 5871 Part 2 and in IE reference should be made to the current edition of IS 813 “Domestic gas

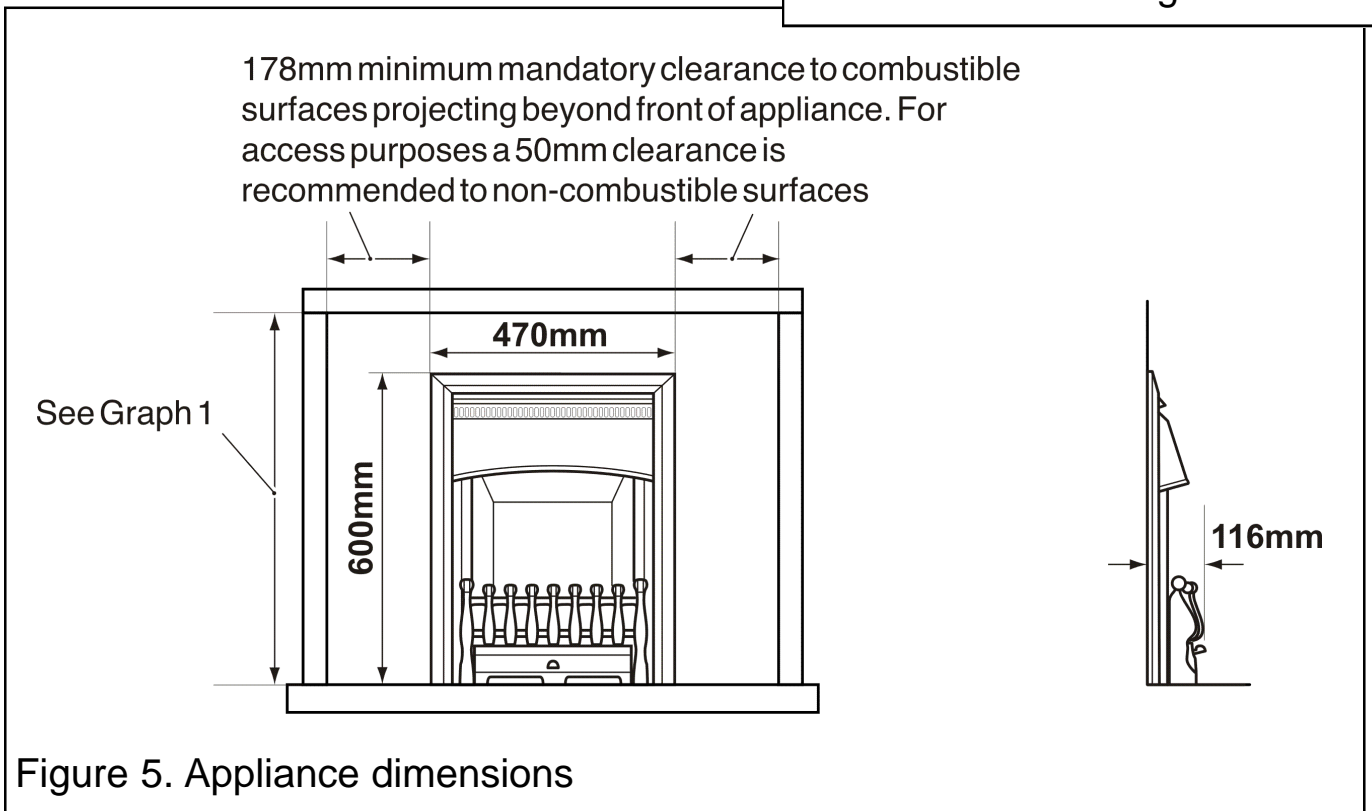
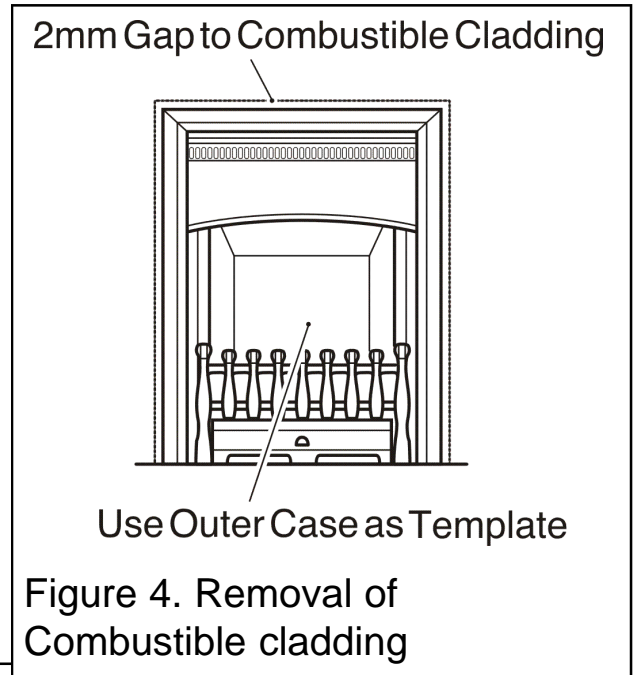
INSTALLER GUIDE

Installations” which makes clear the conditions that must be met to demonstrate that sufficient ventilation is available

3.16 Propane gas appliances must not be installed in a room, which is built entirely below ground level (See BS 5871 Pt2).

3.17 If the appliance is to be fitted against a wall with combustible cladding, the cladding must be removed from the area covered by the outer surround. The cladding must also not touch the surround. (See figure 4). We suggest that the actual surround is used as a template to mark the area for combustible cladding removal and that this area is increased by at least 2mm all round.

3.18 The minimum allowable distance from the outside of the appliance case to a corner wall having combustible material or any other combustible surface which projects beyond the front of the appliance is shown in figure 5. A 50mm access clearance from a non-combustible surface is necessary at the left side. See figure 5.



INSTALLER GUIDE

3.19 Proprietary terminals must comply with BS 715 or BS 1289. Any terminal or termination must be positioned in accordance with BS 5440 Part 1 to ensure that the products of combustion can be safely dispersed into the outside atmosphere. Where the appliance is connected to an unlined brick chimney it is generally unnecessary for the chimney pot to be replaced or for a terminal to be fitted unless the flue has a diameter smaller than 170mm.

3.20 The appliance is fitted with an A.S.D (Atmosphere sensing device). If the appliance closes down after a period of operation for no apparent reason, the consumer should be informed to stop using the appliance until the installation and appliance have been thoroughly checked. The A.S.D will shut the appliance down if an unacceptable amount of harmful products of combustion accumulate. Under no circumstances should the A.S.D be altered or bypassed in any way. Only a genuine manufacturers replacement part should be fitted. The individual A.S.D components are not replaceable.

3.21 A fireguard complying with BS 8423 should be fitted for the protection of young children, the elderly, or the infirm.

4. PACK CONTENTS

The items required for this appliance are packed in two sections.

Section 1 - Fire unit contains:

- 1 Convection box and burner unit
- 1 Loose parts pack including: -
- 1 Nut and Olive for 8mm Inlet Pipe
- 1 Ceramic back wall
- 1 Front base coal
- 1 Rear base coal
- 1 Pack of loose ceramics
- 2 Small 'U' seals for convection box side flanges
- 1 Strip of Floor Sealing Tape
- 1 Flue restrictor with 2 securing screws
- 6 Fibre Plugs
- 4 Woodscrews
- 2 Tension Cables
- 2 Cable Adjusters
- 4 Eyescrews
- 1 Installation template

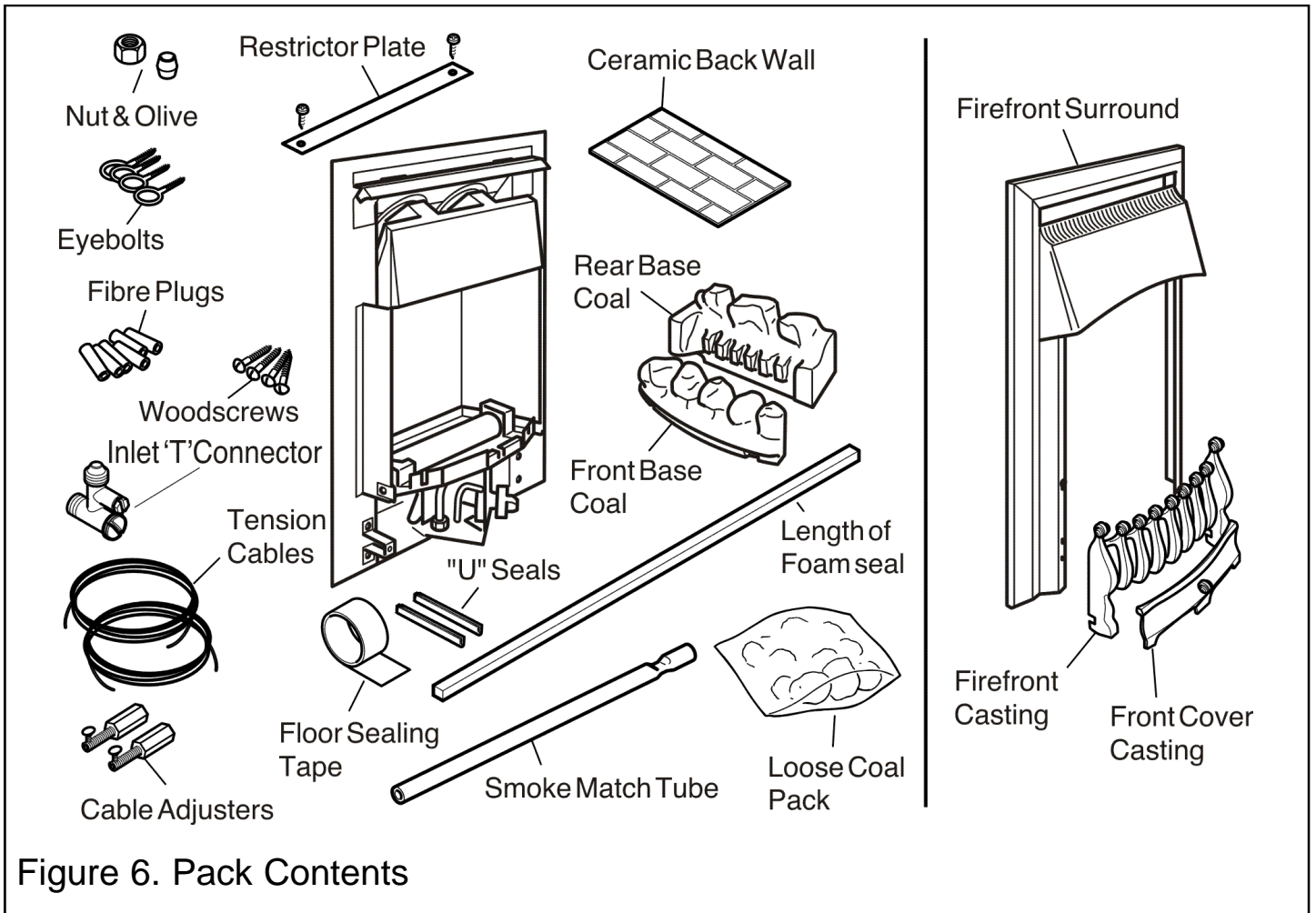
INSTALLER GUIDE

- 1 Smoke match tube
- 1 Length of Self-Adhesive Foam seal
- 1 "T" connector including pressure test point
- 1 Literature Pack

Section 2 - Fire front contains

- 1 Firefront surround
- 1 Firefront casting
- 1 Front cover casting.

Remove all the items carefully to prevent damage. Take special care when handling the ceramic components. Some items may be contained in the packaging fittings - Examine the packaging carefully before discarding. Check that all the items are present and undamaged.



INSTALLER GUIDE

5. FIREPLACE CHECK

5.1 Fireplace check

5.1.1 Fireplace size

The fireplace must comply with the requirements described in section 3.2. This may entail removing the fireback and infill material behind the fireback.

5.1.2 Fireplace general condition

The fireplace floor should be reasonably flat to ensure that the convector box can be installed without it rocking and so that a good seal can be made at the bottom front of the box. The front face of the fireplace should be reasonably flat over the area covered by the convector box top and side flange seals to ensure good sealing. These faces should be made good if necessary. If the appliance is to be fitted against a wall with combustible cladding, the cladding must be removed from the area covered by the outer surround. The cladding must also not touch the surround. (See figure 4). We suggest that the actual surround is used as a template to mark the area for combustible cladding removal and that this area is increased by at least 2mm all round.

5.1.3 Soundness for appliance attachment

Two primary methods of retaining the appliance are provided: -

- 1) By fixing to the fireplace front surround.
- 2) Using concealed tension cables fixed to the rear of the fireplace opening together with secondary fixing to the fireplace floor.

The methods are detailed in section 9 of this manual. Before selecting the retention method, consult with the customer. Method 2 is provided for instances where drilling holes in the front surface of the fireplace surround is unacceptable to the customer or otherwise impractical. *N.B. It is unwise to attempt to drill into marble without the proper tools and equipment.*

If method 1 is chosen, make sure that the front surround area is sound enough to take the rawlplugs and woodscrews. If necessary, make sound with a suitable cement.

If method 2 is chosen, make sure that the areas at the back and towards the centre of the fireplace floor are sound enough to take the eyebolts and screws. If these areas have deteriorated due to prolonged use, they should be made sound with a suitable cement.

5.1.4 Installations using a metal flue box

The whole of the top surface of the metal flue box must be covered with a minimum 50mm layer of mineral wool or equivalent insulation. (See figure 2).

5.2 Fireplace Flue Pull

Close all doors and windows in the room in which the appliance is to be installed. After confirming with a match that smoke is drawn into the flue, light a 13 gram smoke pellet and check that there is a definite flow through the flue. Verify outside that the smoke exits from one terminal only and that the termination is suitable. Observe where

INSTALLER GUIDE

possible, upstairs rooms and loft spaces for signs of escaping smoke indicating a defective flue. If there is not a definite flow warm the flue for a few minutes and repeat the smoke pellet test. If there is still no definite flow the flue may need remedial work – **Do not fit the appliance until there is a definite flow through the flue.**

6. IGNITION CHECK

Before attempting to install, it is worth checking that the ignition system performs satisfactorily.

Set the control knob to the off position.

Depress the control knob and rotate it anticlockwise to the pilot ignition position. A 'click' will be heard as the integral piezo operates. A spark should be seen between the electrode and pilot tip. If there is no spark check the following: -

- Ensure that the electrode lead is connected to the terminal at the base of the electrode.
- If the above is correct, check for damage to the electrode lead.

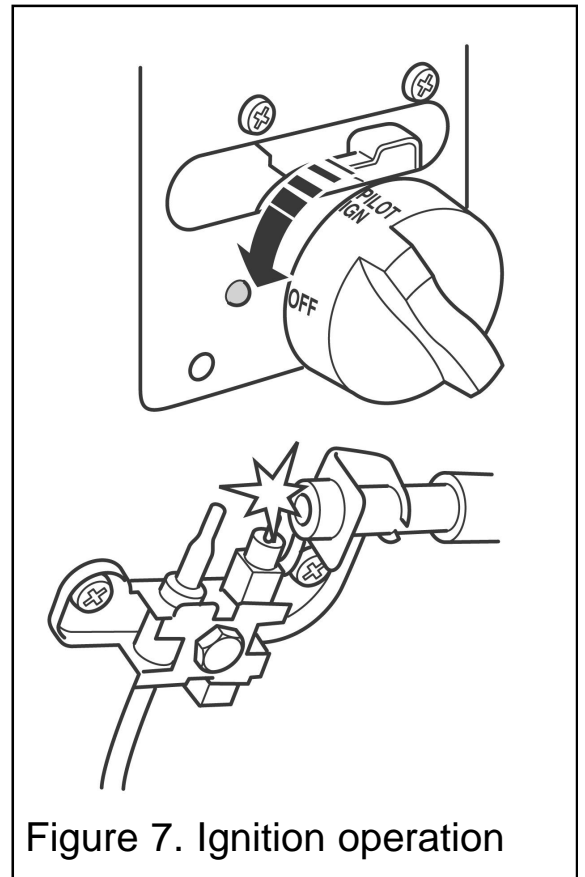


Figure 7. Ignition operation

INSTALLER GUIDE

7. GAS SUPPLY CONNECTION

A nut and olive are provided for an 8mm pipe inlet connection to the 'T' connector at the bottom front of the appliance. The 'T' connector can be rotated to allow a connection from any direction. The 'T' connector includes a valve for isolating the gas supply and a pressure test point. The 'T' connector should be fitted to the supply pipe at this stage. The supply pipe must be rigid material. Flexible pipe must not be used.

7.1 Concealed Supply Pipe Connection

If a concealed connection from inside the fireplace is required then, **before the appliance is fitted into the fireplace** it will be necessary to extend the supply line so that it will project through the sealed opening at the back of the convection box (near the left side) and run to the 'T' Connector at the front

The pipe run from the supply line up to the rear opening in the convection box must be kept clear of the area which will be taken by the convection box when it is installed. A template is supplied to aid the installation of the pipe run.

We recommend the following method for installing with a concealed supply pipe:

1. Cut the template to the shape shown by the "Debris catchment area". Note that the areas are different for fireplaces with conventional brick flues and precast flues.
2. Place the template on the fireplace floor (printed side upward) with the front line level with the front surface of the fireplace. The centre line of the template should line up with the centre of the fireplace. Tape the template securely in this position.
3. Make sure that the fireplace is clear of all material over the full area covered by the template including that marked "Debris catchment area".
4. Install the supply pipe to run through the thick line marked "Supply pipe entry" and up to the inlet elbow position. Note that the centre of the appliance inlet elbow is 30mm above the fireplace floor. The inlet elbow should be removed from the appliance and fitted to the supply pipe at this stage. Remove the template. **Note: If the supply pipe connection is to be from the right side, keep the template, It will be useful for bending the pipe later on (See section 9.1).**

7.2 Side Supply Pipe Connection

The appliance is designed to allow a side supply pipe to run in front of the front surround and through a cut- out at either rear bottom corner of the fire front casting. For side connection, final installation of the supply pipe should be left until the appliance is installed in the fireplace.

INSTALLER GUIDE

8. PREPARING APPLIANCE FOR INSTALLATION

8.1 Appliance Preparation

1. Remove any transit tape and packing and inspect for any evidence of mishandling which might affect the performance. Each unit is flame tested before it leaves the factory and as a result there may be slight discolouration around the burner ports.

2. Detach the burner unit from the convector box by removing two screws - See figure 8. Lift the burner unit clear.

3. Fit the two small 'U' section seals to the bottom edges of the convection box side flanges (See figure 9).

IMPORTANT

Before continuing with the installation of this gas fire the aeration setting on the burner must be checked. The aeration is factory set. See section 17.1 (Servicing and parts replacement).

4. For concealed connection only: Pierce a hole in the seal at the back of the convection box. See figure 10. The seal must envelop the pipe. If the hole is larger than the pipe, seal it with tape. Do not pierce the seal unless the supply pipe is to pass through it.

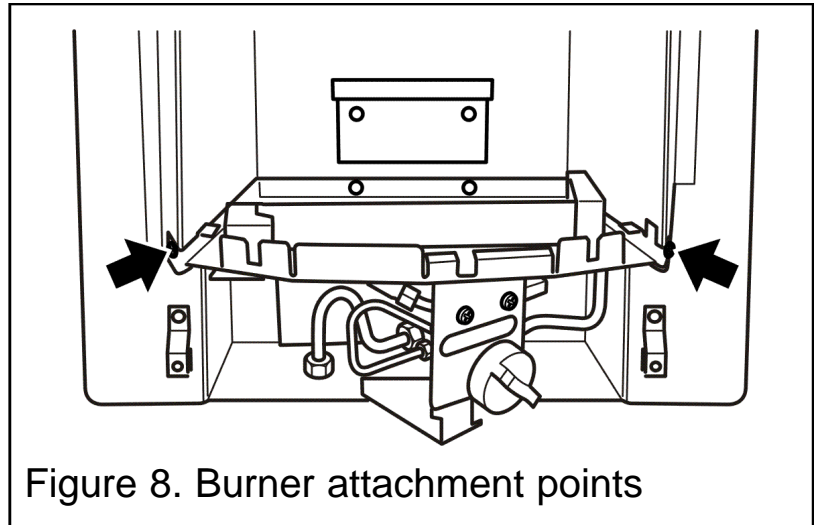


Figure 8. Burner attachment points

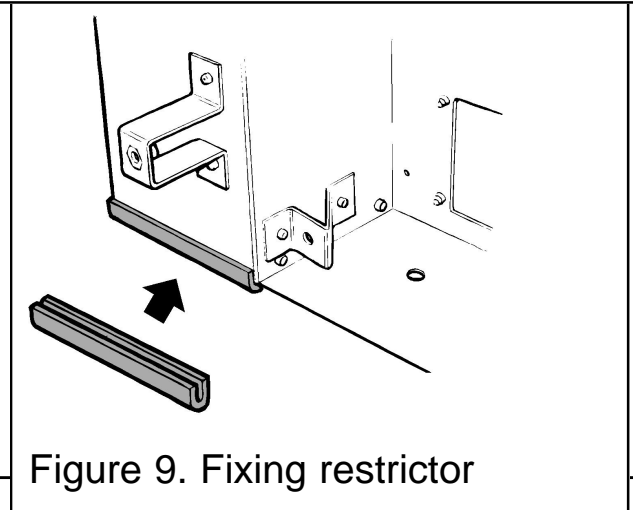


Figure 9. Fixing restrictor

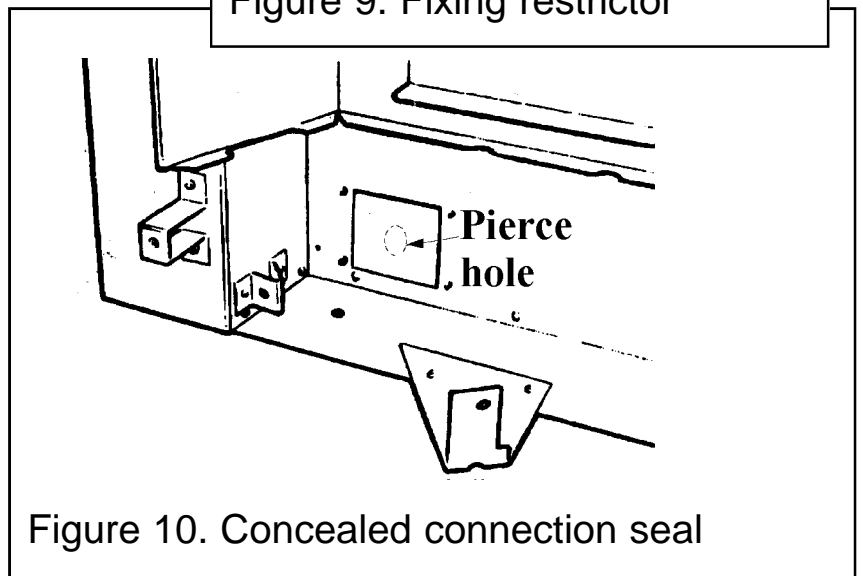
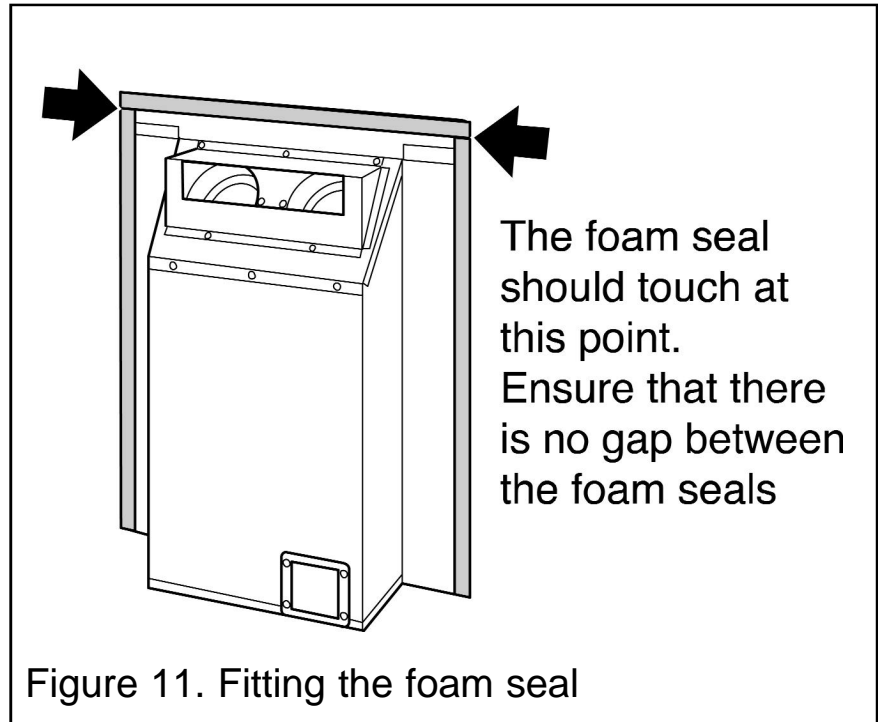


Figure 10. Concealed connection seal

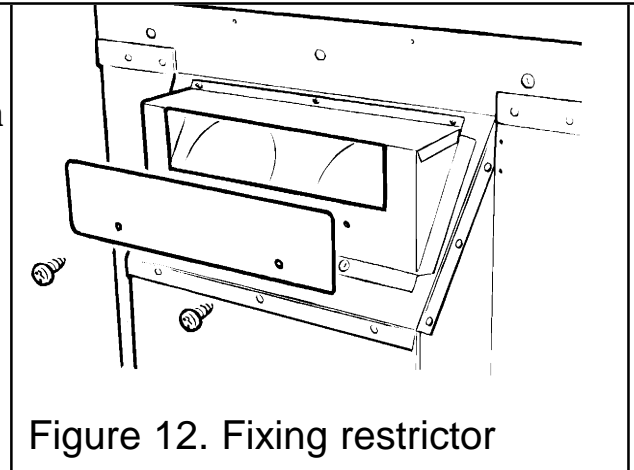
INSTALLER GUIDE

5. There is a length of self adhesive foam seal supplied with the fire. This will need to be fitted to the outer rear edges of the side and top flanges of the convector box. Cut the foam seal to the required length. Be careful not to stretch the seal when measuring. Remove the protective backing from the foam seal and fit this to the rear of the top flange (See figure 11).



8.2 The Flue Restrictor

This appliance is supplied with a flue restrictor for use where the flue draught is excessive. **The restrictor must not be fitted where a precast flue or a 125mm flue liner is used.** For flue liners greater than 125mm and all other installations the restrictor should be fitted. There may however, be certain exceptional circumstances where fitting the restrictor causes the fire to fail the spillage test. In such cases the restrictor will have to be removed. After removal conduct the spillage check again.



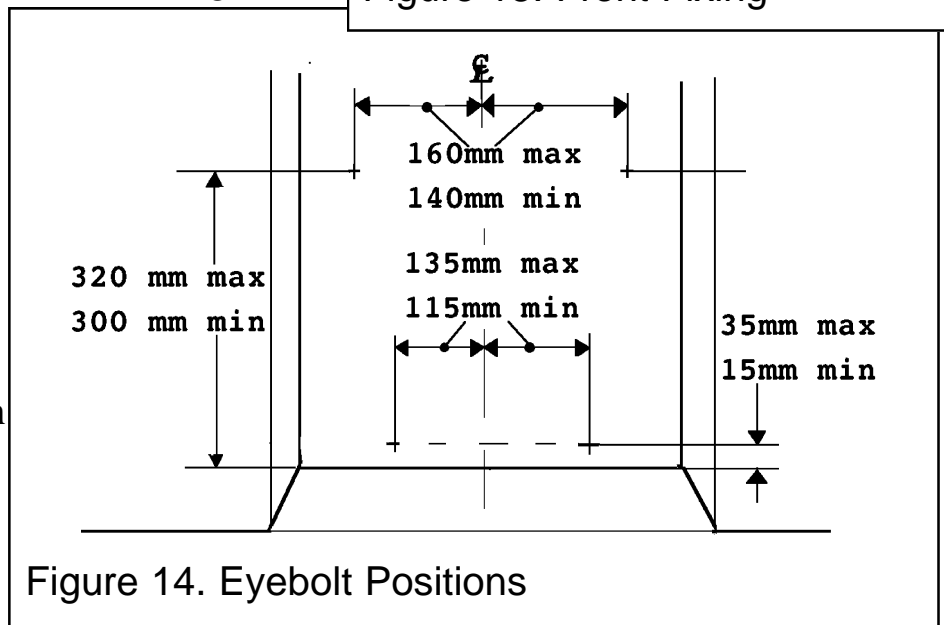
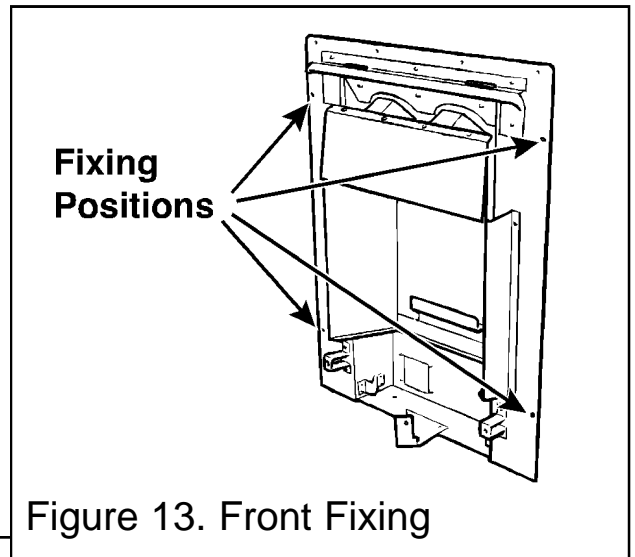
Fit the restrictor as shown in figure 12 using the two screws provided.

INSTALLER GUIDE

9. CONVECTION BOX INSTALLATION

9.1 Method 1- Front Fixing to Fireplace Surround

1. Make sure that the fireplace front surround area is sound enough to take the rawlplugs and woodscrews. If necessary, make sound with a suitable cement.
2. Place the convector box centrally in the fireplace in the position in which it is to be permanently installed. If a concealed connection is being used, insert the convector box into the fireplace feeding the supply pipe through the pierced hole in the rear seal.
3. Mark the fireplace front surround through the four fixing holes in the side flanges of the convector box. See figure 13.
4. Remove the convector box. Drill four holes in the fireplace front surround at the marked positions using a no.12 masonry drill.
5. Insert a rawlplug into each hole.
6. Place the convector box back in position in the fireplace.
7. Fit a woodscrew through each hole in the convector box flanges and tighten to seal the box to the fireplace surround.



9.2 Method 2 - Cable Retention

1. Make sure that the relevant areas at the fireplace back are sound enough to take the eyebolts. If these areas have deteriorated due to prolonged use they should be made sound with a suitable cement.
2. Drill four holes in the rear wall of the fireplace for the eyebolt plugs. The holes should be drilled within the range of positions shown in figure 14 using a no.12 masonry drill. The holes should be equidistant each side of the centre line of the fireplace to ensure that the appliance finishes centrally in the opening when tension is applied to the cables.
3. Insert a fibre plug into each hole. Use the fibre plugs supplied with this appliance -

INSTALLER GUIDE

Never use plastic plugs instead of the fibre plugs supplied. Screw the eyebolts into the plugs. Make sure that the bolts are secure.

4. Place the convector box unit close to the fireplace but allow sufficient access into the fireplace opening so that the cables can be threaded through the eyebolts and returned through the back of the convector box. If a concealed connection is being used, insert the convector box into the fireplace feeding the supply pipe through the pierced hole in the rear grommet.

5. The convection box has two holes at each side of the convected air opening. Insert one end of each cable (one cable each side) from the back through the lower of the two holes and return the end through the upper of the holes. See figure 15. Give the cables a pull so that they grip against the convection box flanges.

6. Thread the cables through the upper eyebolts in the rear wall and then through the lower eyebolts. Return the cables through the holes near the bottom of the convection box back panel and through the "V" shaped brackets near the bottom front sides of the convection box. See figure 16.

7. Place the convection box fully back into the fireplace opening so that it is sealed against the fireplace front surround.

8. Fit a cable retainer over the bottom end of each cable.

9. Pull each cable taut. Push the cable retainers hard up against the "V" brackets. Tighten the screws in the retainers so that they clamp the cables in position. Apply tension to the cables by turning the hexagonal adjusters by hand. See figure 17.

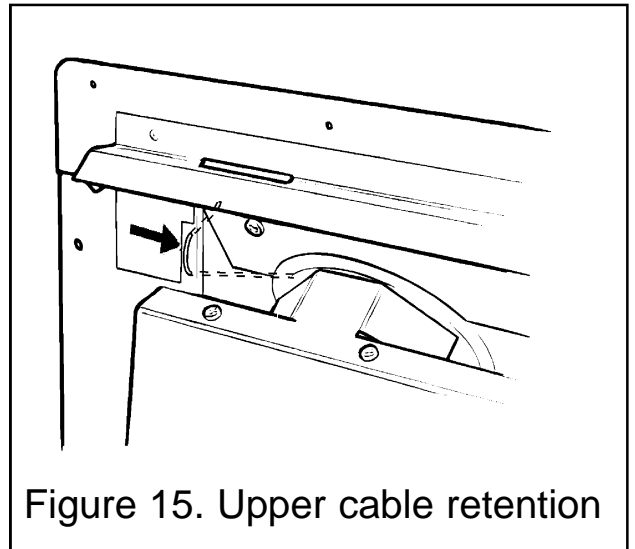


Figure 15. Upper cable retention

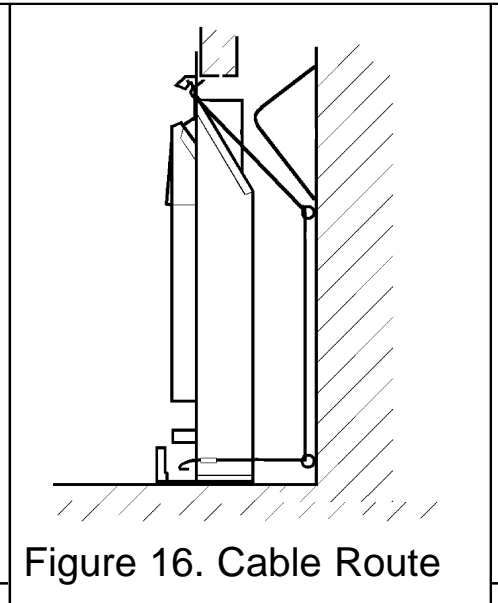


Figure 16. Cable Route

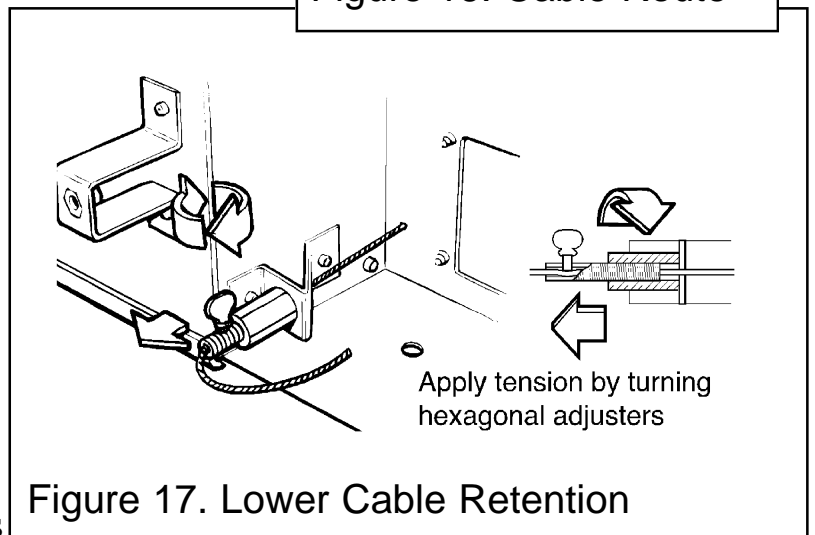


Figure 17. Lower Cable Retention

INSTALLER GUIDE

10. Drill a hole into the fireplace floor through each of the two holes in the base of the convection box using a no.12 masonry drill. See figure 18.

11. Insert a fibre plug into each hole. Use the rawlplugs supplied with this appliance - Never use plastic plugs instead of the fibre plugs supplied. Fit a woodscrew in each plug and tighten.

12. Inspect the installation of the convection box against the fireplace surround. If the convection box is

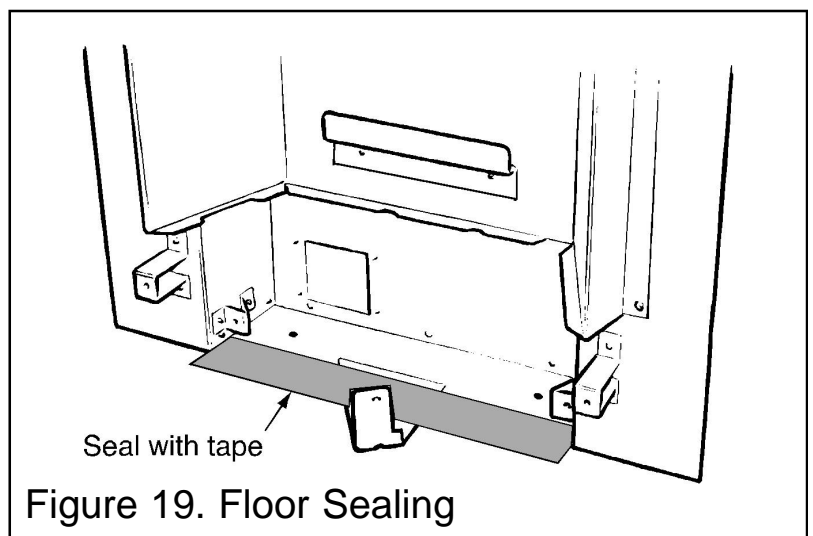
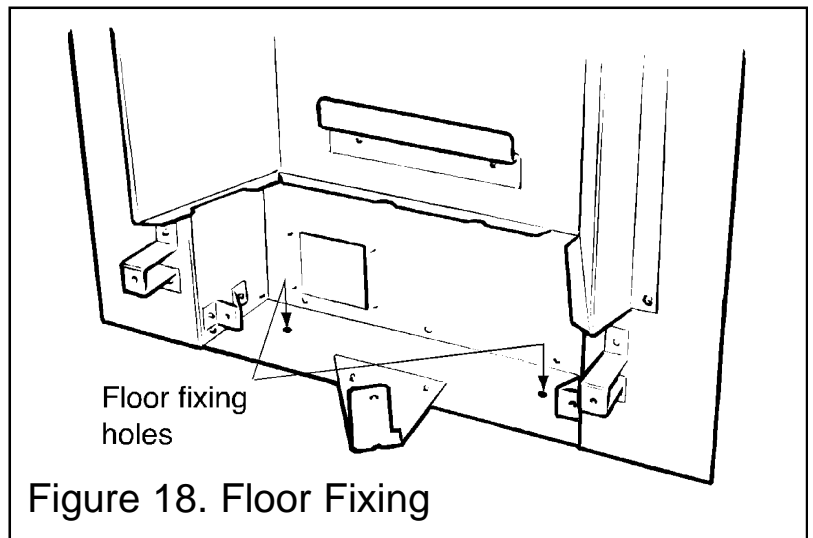
aligned squarely and the sealing is satisfactory, fully tighten the cable retainers.

13. If the convection box is not correctly aligned, release the tension on the cables by slackening the screws and turning the hexagonal adjusters fully anticlockwise. The convection box should then automatically realign itself. Pull each cable taut again and push the cable retainers back against the "V" brackets. Again, tighten the screws in the retainers and apply tension to the cables by turning the hexagonal adjusters clockwise as far as possible.

14. Push the free length of the cables inside the convection box so that they are available to allow easy removal and refitting of the appliance during subsequent service calls.

9.3 Floor Sealing

Using the floor sealing tape supplied, seal the bottom of the convector box to the fireplace and hearth floor. Run the tape over the centre bracket.



INSTALLER GUIDE

10. BURNER & SUPPLY PIPE INSTALLATION

10.1 Burner & Supply Pipe Installation

1. Refit the burner unit to the convector box using the three screws removed previously
2. Connect the supply line to the appliance.

For right hand side connection: The supply pipe will have to be formed to go behind the control knob and burner support bracket. The installation template contains a diagram for bending this supply pipe.

3. If closed, open the isolating valve at the inlet 'T' connector.
4. Turn on the gas supply and pressure check the installation pipework for gas soundness. In the United Kingdom check in accordance with the current edition of BS 6891. In the Republic of Ireland refer to the current edition of I.S. 813 "Domestic gas installations".

10.2 Preliminary Burner Checks

Some burner operations can be checked at this stage. Checking now will mean that less disassembly will be required if any problems are found. A full check should still be made, however, after final installation

10.2.1 Lighting the burner

1. Depress the control knob and rotate it anticlockwise to the pilot ignition position. A 'click' will be heard as the integral piezo operates. A spark should be seen between the electrode and pilot tip.
2. Turn the control knob clockwise to the 'Off' position. Repeat this operation until a flame appears at the pilot. There may be a delay before the pilot lights due to air being purged from the system. When a flame appears at the pilot keep the control knob depressed and hold the pilot ignition position for five seconds. When the control knob is released the pilot flame should remain lit.

10.2.2 Operating the burner.

1. When the pilot burner is operating properly, gradually turn the control knob anti-clockwise to 'HIGH' (Depress the knob slightly to get past the pilot ignition position). The main burner should now light. Depress the control knob slightly to release from the 'HIGH' position and turn back (clockwise) to 'LOW'. While turning, the burner flames should gradually become lower but remain alight. Depress the control knob slightly to release from the 'LOW' position and turn back (clockwise) to the Pilot ignition position. The main burner should extinguish but the pilot should remain alight. Depress the control knob slightly and turn back (clockwise) to turn OFF. This will extinguish the pilot.

INSTALLER GUIDE

If the above checks are satisfactory, continue with the installation. If not, check the control and ignition circuitry and components as described in the servicing section of this guide.

10.3 Reference Pressure Check

The appliance is pre-set to give the correct heat input at the inlet pressure shown in section 2 of this manual. No adjustment is necessary.

1. Check the inlet pressure by fitting a pressure gauge at the test point. The test point is on the inlet 'T' connector. See figure 20. Check the pressure with the appliance alight and set at maximum output.
2. After checking, turn off the appliance. Remove the pressure gauge and replace the test point sealing screw.
3. Relight the appliance. Turn to the maximum output position and test around the sealing screw for gas soundness with a suitable leak detection fluid.

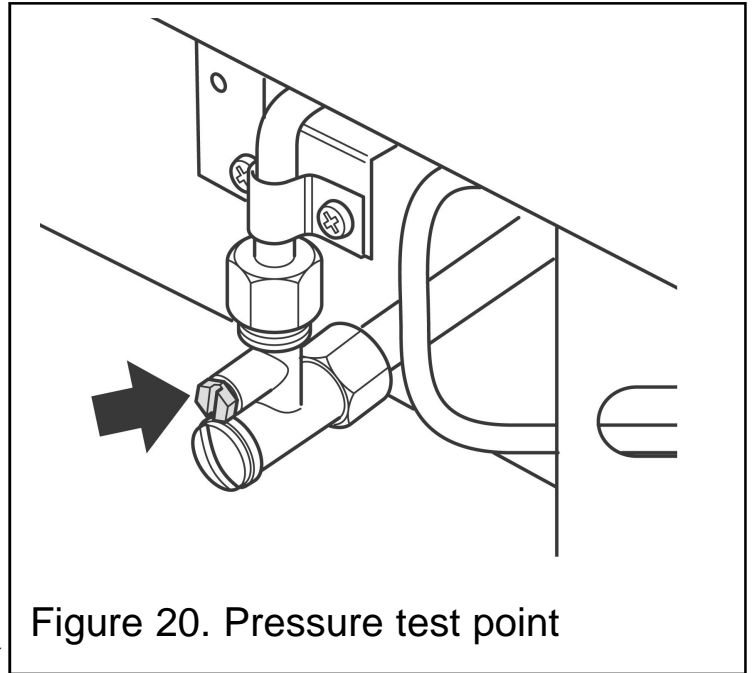


Figure 20. Pressure test point

11. FITTING THE FRONT SURROUND

11.1 Fitting The Front Surround

1. Locate the two lugs at the top of the front surround in the slots in the convection box hood. Swing the bottom of the surround sides back against the convection box and lower the surround so that the lugs are fully seated in the slots in the convection box hood (See figure 21).
2. Refit the two screws to secure the surround sides to the convection box brackets.

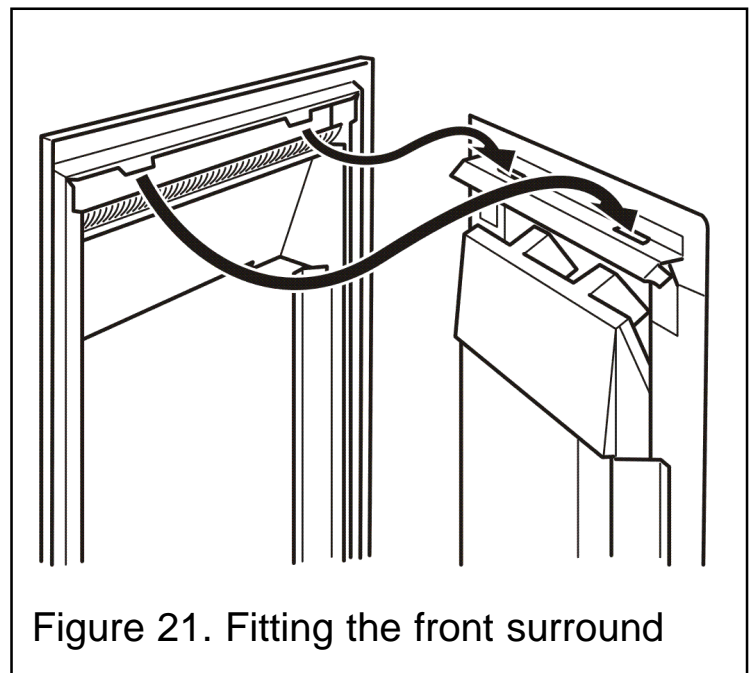


Figure 21. Fitting the front surround

INSTALLER GUIDE

12. CERAMIC COALS INSTALLATION

1. Place the rear base coal in the firebox. It should rest on the ledges at the rear sides of the burner unit. When located gently move the rear base coal so that it is as far forward as possible. The amount of movement will be negligible (See figure 22).

2. Place the front base coal in the firebox with its bottom front locating over the front rim of the firebox. Pull the coal forward so that it locates immediately behind the front rim of the firebox. (See figure 23). The front base coal will touch the rear base coal as it is located.

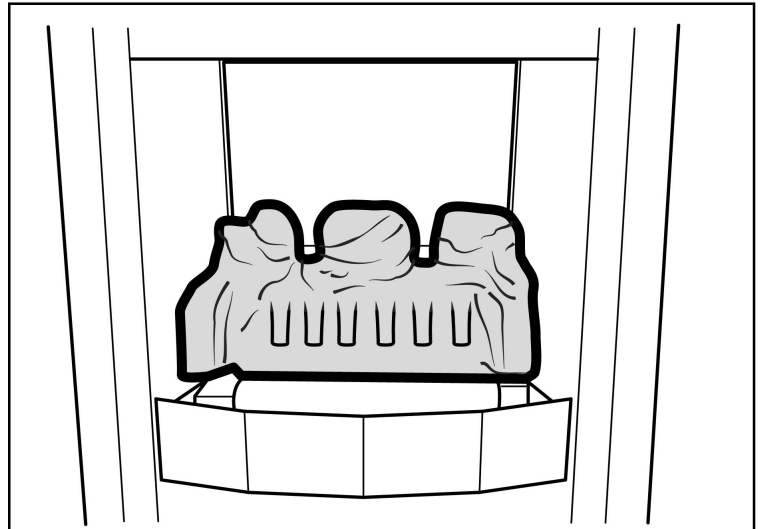


Figure 22. Rear Base Coal Position

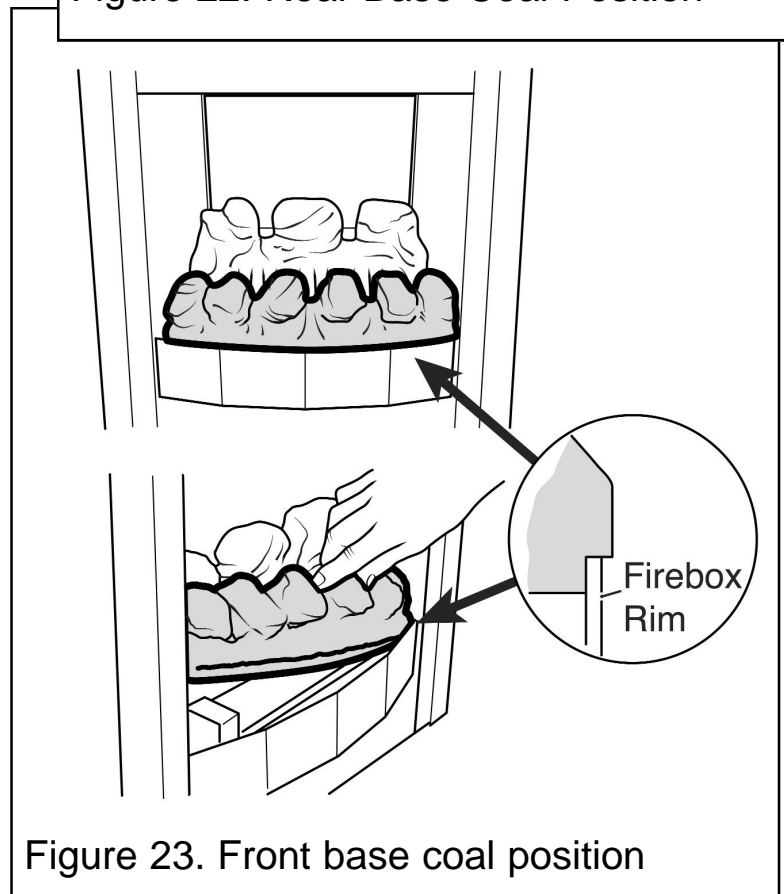


Figure 23. Front base coal position

INSTALLER GUIDE

There are two types of loose coals. These are identified with the letter “A” or “B” on the underside of the coal.

There are three “A” coals and two “B” coals.

3. Place a type “A” coal between the front and rear base coals with the letter “A” upright and so that the coal is against the left side of the firebox. See figure 24.

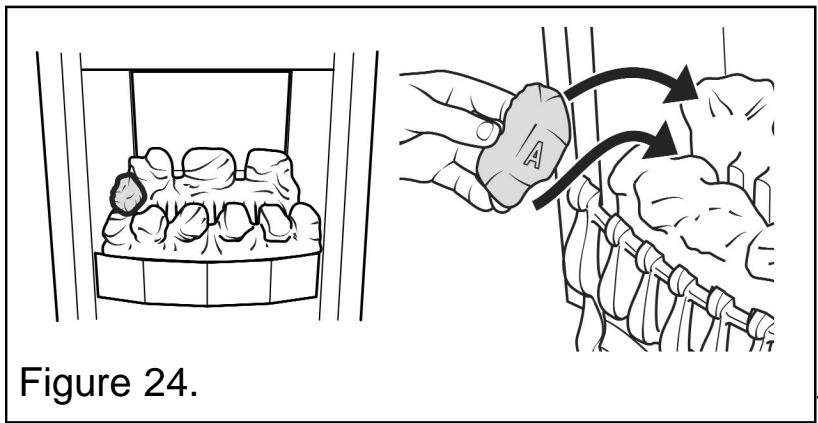


Figure 24.

4. Place a type “B” coal between the front and rear base coals as shown in figure 25. The letter “B” should be upright.



Figure 25.

5. Place a type “A” coal between the front and rear base coals with the letter “A” upright. The top of the coal should rest against the centre coal of the rear base coal as shown in figure 26.

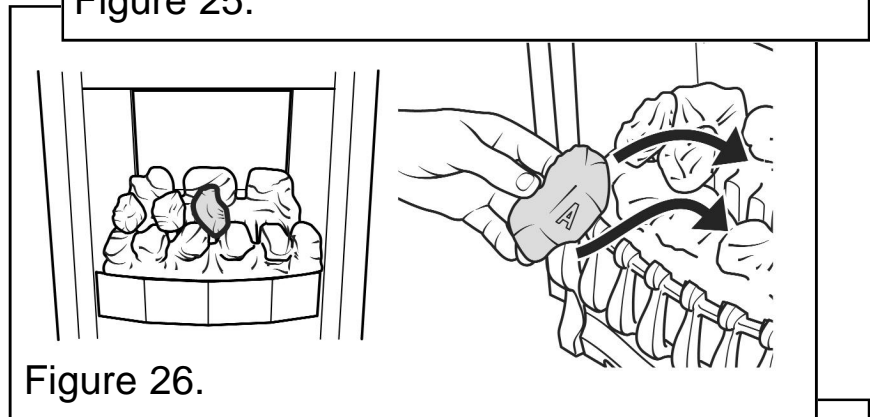


Figure 26.

6. Place the remaining type “B” coal at the right side of the firebox between the front and rear base coals. The letter “B” should be upright. The coal should touch the right side of the firebox. See figure 27.



Figure 27.

INSTALLER GUIDE

7. Place the remaining type “A” coal between the front and rear base coals. The letter “A” should be upside down with its rear face between the right and centre coals of the rear base coal. Angle the coal so that the gap between it and the type “B” coal to its right is appreciably larger than the gap between it and the type “A” coal to its left but do not have it touching the type “A” coal. This will give the best flame effect. See figure 28.



Figure 28.

13. FIREFRONT CASTING INSTALLATION

1. All models except black & chrome front casting: Fit the fire front casting to the front surround. Locate the two screw heads at the rear top corners of the casting through the keyhole slots at the inner sides of the surround. If the screw heads do not project enough or project too far, the screws can be adjusted. Lower the casting so that it rests on the hearth. See figure 29.

Black & chrome front casting: Place the fire front casting in front of the appliance.

2. Place the bottom front cover casting in position below the fire front casting.

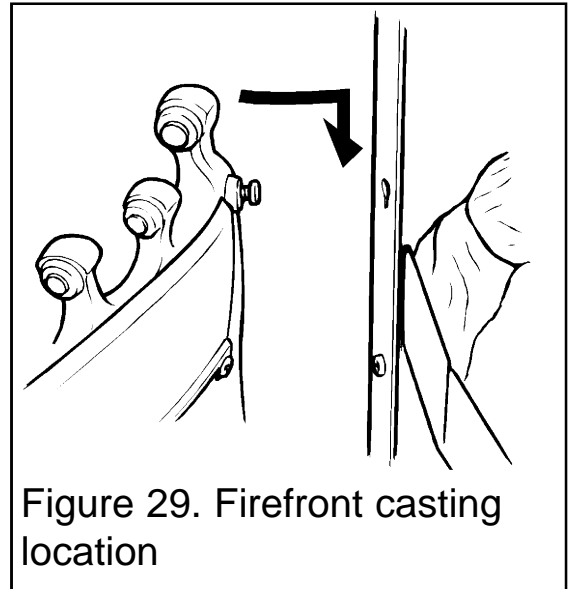


Figure 29. Firefront casting location

14. FULL OPERATING CHECKS

14.1 Recheck the Control Settings

With the ceramic fuel effect in position the control operation must now be fully rechecked. Make sure that the isolating valve at the ‘T’ connector is open.

- *When first turned on from cold, the flames will appear predominantly blue.*
- *When operating the fire for the first time, some vapours may be given off which could set off smoke alarms in the vicinity. These vapours are quite normal with new appliances. They are totally harmless and will disappear after a few hours use.*

14.1.1 Lighting the burner

1. If closed, open the isolating valve at the inlet ‘T’ connector.
2. Depress the control knob and rotate it anticlockwise to the pilot ignition position. A

INSTALLER GUIDE

'click' will be heard as the integral piezo operates. A spark should be seen between the electrode and pilot tip.

3. Turn the control knob clockwise to the 'Off' position. Repeat this operation until a flame appears at the pilot. There may be a delay before the pilot lights due to air being purged from the system. When a flame appears at the pilot keep the control knob depressed and hold the pilot ignition position for five seconds. When the control knob is released the pilot flame should remain lit.

14.1.2 Operating the burner.

1. When the pilot burner is operating properly, gradually turn the control knob anti-clockwise to 'HIGH' (Depress the knob slightly to get past the pilot ignition position). The main burner should now light. Depress the control knob slightly to release from the 'HIGH' position and turn back (clockwise) to 'LOW'. While turning, the burner flames should gradually become lower but remain alight. Depress the control knob slightly to release from the 'LOW' position and turn back (clockwise) to the Pilot ignition position. The main burner should extinguish but the pilot should remain alight. Depress the control knob slightly and turn back (clockwise) to turn OFF. This will extinguish the pilot.

If the above checks are satisfactory, continue with the installation. If not, check the control and ignition circuitry and components as described in the servicing section of this guide.

While cooling the ceramic fuel effect may make some crackling noises. This is quite normal.

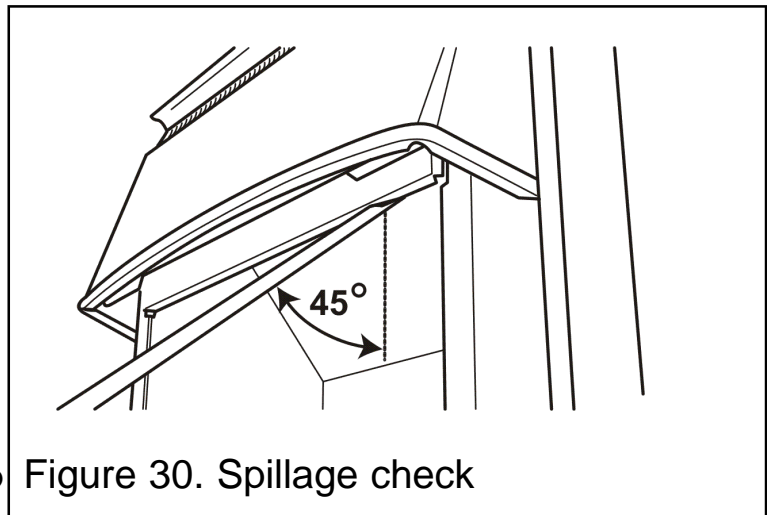
INSTALLER GUIDE

15. SPILLAGE & FLAME SUPERVISION CHECKS

15.1 Check for Spillage

A spillage check must be made before leaving the installed appliance with the customer. Make this with all the ceramic fuel effect pieces in position.

1. Close all doors and windows in the room containing the appliance.
2. Light the appliance and turn the control knob to "HIGH".
3. Leave the appliance on for five minutes.
4. Place the smoke match tube into the convection box at the right hand side and immediately below the black top cross member. Angle it at approximately 45° to the horizontal.



Insert the tube so that the neck of its flared end touches the inside surface of the edge of the cross member - See figure 30.

Keeping the neck of flared end in contact with the edge of the cross member, slide the tube to the left until you feel it enter the notch in the edge of the cross member. Make sure that the tube is pointed upwards at 45° to the horizontal. The installation is satisfactory if the smoke is drawn into the appliance. If the smoke is not drawn into the appliance leave the appliance alight at the maximum setting for a further ten minutes and then repeat the test. If the smoke is still not drawn into the appliance inspect the sealing to the fireplace surround. If the sealing is satisfactory but the appliance is installed with the flue restrictor (see section 8.2) remove the restrictor, reseal the appliance and retest. If smoke is still not drawn into the appliance disconnect the appliance and seek expert advice.

5. If the above test is satisfactory open all internal connecting doors, hatches, etc. in the room. Keep all doors and windows that open to the outside of the building closed. Recheck for spillage as above. If an extractor fan is installed in the same room as the appliance or a connecting room, check that spillage does not occur with the fan operating and all doors and other openings between the fan and the appliance open. If the smoke is drawn into the appliance, continue with the installation. **If the test is not satisfactory disconnect the appliance and advise the customer of the cause of failure.**

INSTALLER GUIDE

15.2 Flame Supervision & Spillage Monitoring System

The pilot unit incorporates a system that will automatically shut off the gas supply if the pilot flame goes out or if there is insufficient oxygen due to spillage or lack of ventilation.

Check that the system operates properly as follows;

- Light the appliance. Set at the “HIGH” position and leave for one minute.
- Turn back to “OFF” to extinguish the pilot. **Note the time when the pilot goes out.**

Listen for a snap sound at the gas tap. **Note the time when the sound is heard.** This sound is caused by an electromagnetic valve shutting off the gas supply through the tap. The valve is located in the body of the tap. The valve should operate **within 60 seconds of the pilot going out.** If the valve does not operate within this time limit do not allow the appliance to be used until the fault has been corrected.

This monitoring system must not be adjusted, bypassed or put out of operation. This monitoring system, or any of its parts, must only be exchanged using Valor authorised parts.

16. FINAL REVIEW

1. Visually inspect the appliance. Clean off any marks incurred during installation.
2. Advise the customer how to operate the fire.
3. Explain to the customer that the appliance has a flame failure and spillage monitoring system. Point out the explanation of this system shown in the owner’s guide. Advise that if the fire goes out for any reason, wait at least three minutes before relighting. Stress that if the monitoring system repeatedly shuts off the fire, the appliance should be switched off and a specialist should be consulted. Point out that the lighting instruction details are on a metal plate attached at the bottom of the appliance.
4. Advise that the fire may give off a slight odour while new. This is quite normal and it will disappear after a short period of use.
5. Advise that any cleaning must only be carried out when the fire is off and cold.
6. Advise the customer that they should read the Owner’s guide before operating the fire and always follow the advice in the section headed “Cleaning your fire”.
7. Advise the customer that the appliance will operate to its maximum potential if the flue is primed during the first 20 – 30 minutes of use. To do this, simply turn the control to its highest setting. This will also burn off any carbon deposits that may have formed during previous use.

If using the appliance for long periods it is beneficial to change between settings. This will also help to remove any carbon deposits that may form during use.

INSTALLER GUIDE

8. Recommend that the appliance should be serviced and the chimney inspected by a competent person (In the UK a CORGI registered person) at least annually.
If the appliance is in premises in the United Kingdom occupied by a tenant, point out that by law a landlord must have any gas appliance, flue and pipework which is situated in a tenant's premises checked for safety at least every 12 months.
9. Advise the customer that the castings, front surround, firebox and ceramic pieces can be cleaned as described in the user's instructions and that the loose ceramic fuel effect pieces must be replaced as described in those instructions.
Stress that no extra coals must be added over and above those supplied with the appliance and that any replacements must only be the authorised spares. Warn that ignoring this advice could cause incomplete clearance of the products of combustion with consequent health hazards.
10. Inform the customer that the Serial number for the appliance is located on the metal plate, located behind the lower front casting and underneath the burner.
11. Hand the literature pack with this guide to the customer.

17. SERVICING & PARTS REPLACEMENT

Always turn off the gas supply before commencing any servicing (The appliance inlet "T" connector incorporates an isolating valve).

It is recommended that, at least once a year, the appliance is disconnected and the fireplace opening checked and cleared of any debris.

This product uses fuel effect pieces and a burner compartment rear wall containing Refractory Ceramic Fibres (RCF), which are man-made vitreous silicate fibres. Excessive exposure to these materials may cause irritation to eyes, skin and respiratory tract. Consequently, it is important to take care when handling these articles to ensure that the release of dust is kept to a minimum. To ensure that the release of fibres from these RCF articles is kept to a minimum, during installation and servicing we recommend that you use a HEPA filtered vacuum to remove any dust and soot accumulated in and around the fire before and after working on the fire. When replacing these articles we recommend that the replaced items are not broken up, but are sealed within a heavy duty polythene bag, clearly labelled as RCF waste. This is not classified as "hazardous waste" and may be disposed of at a tipping site licensed for the disposal of industrial waste. Protective clothing is not required when handling these articles, but we recommend you follow the normal hygiene rules of not smoking, eating or drinking in the work area and always wash your hands before eating or drinking.

- Check that the appliance is clean and that soot or debris is not blocking the gaps

INSTALLER GUIDE

between the coals causing an imperfect flame.

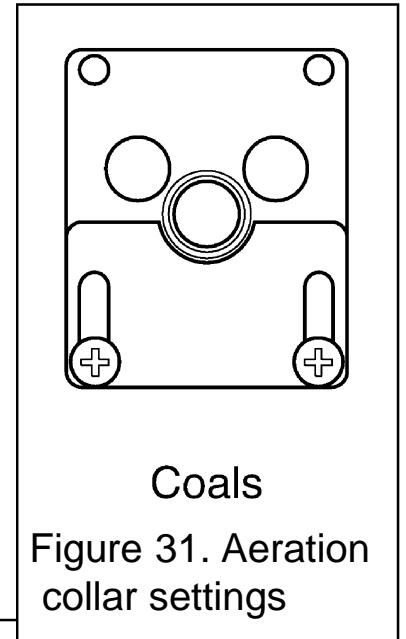
- Check that soot or debris is not impairing the electrode spark or pilot burner.
- Check that soot or debris is not blocking any of the holes in the main burner.
- After servicing, make sure that the ceramic rear wall and coals are replaced correctly as described in the installation instructions.
- **Always test for gas soundness and spillage after servicing the appliance.**

17.1 Checking the aeration setting of the burner.

1. The aeration collar is factory set and **will** require adjustment.

It is important to ensure that the aeration setting is correct (See figure 31).

2. To adjust the aeration setting, loosen the two aeration shutter screws, slide the aeration shutter to the position shown in figure 31 and tighten the fixing screws.



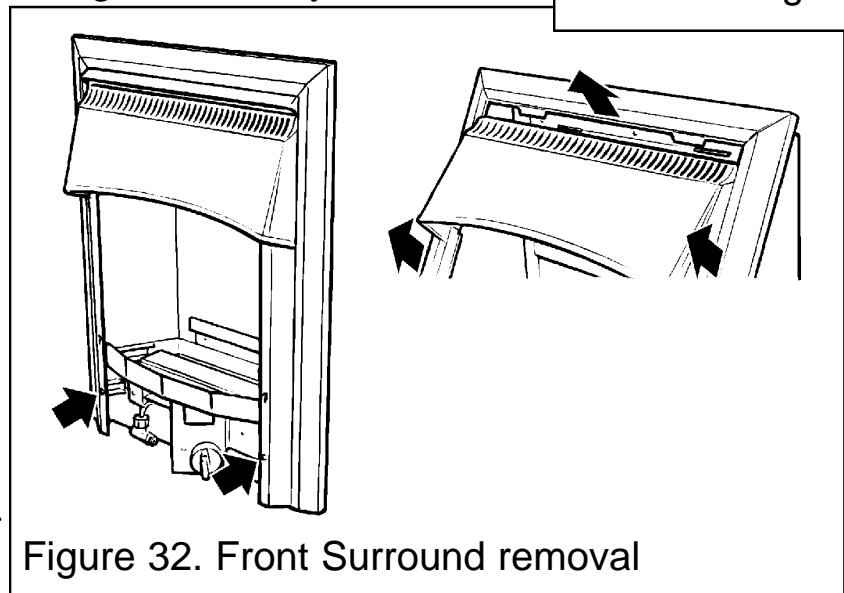
17.2 To Remove the Fire Front Surround

1. Remove the bottom front cover casting.

2. Lift the fire front casting clear. (Where applicable by lifting the fire front casting up and forward to release the locating screw heads at the back of the casting from the keyholes in the surround sides.)

3. Remove the two screws securing the bottom of the front surround to the sides of the convection box. Raise the front surround to allow the retaining lugs at the top to clear the slots in the convection box hood and then lift clear. See figure 32.

4. Replace in the reverse order.



INSTALLER GUIDE

17.3 To Remove the Burner Unit

See figure 33.

1. Remove the loose coals, front base coal, and rear base coal.
2. Remove the front surround unit - See section 17.2.
3. Support the inlet-isolating elbow to avoid straining the pipework and disconnect the appliance from the elbow.
4. Detach the burner unit from the convection box by removing two screws.
5. Replace in the reverse order

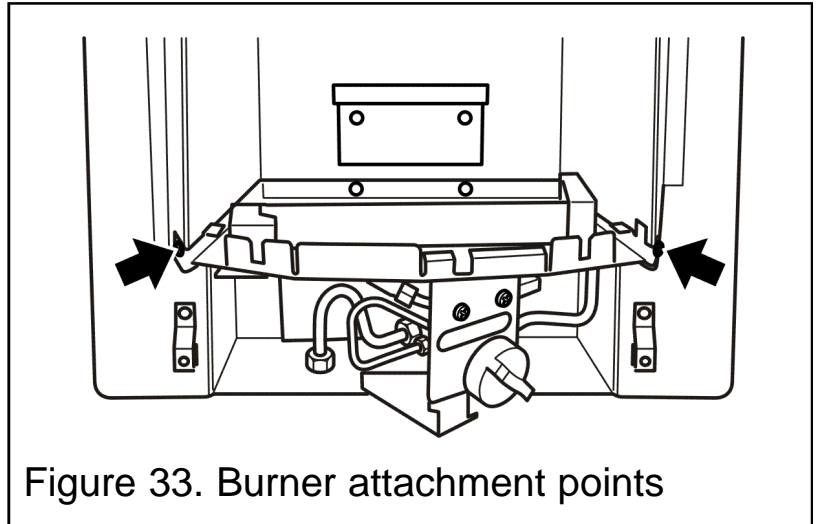


Figure 33. Burner attachment points

17.4 To Remove the Pilot Unit

1. Remove the burner unit - See section 17.3.
2. If lying the burner on its back, ensure that the worksurface is suitably protected. This will avoid damage to the worksurface.
3. Detach the pilot pipe from the pilot unit.
4. Detach the thermocouple from the gas valve
5. Detach the electrode lead from the underside of the electrode tab.
6. Remove the two screws securing the pilot unit. See figure 34.
7. Refit in the reverse order.

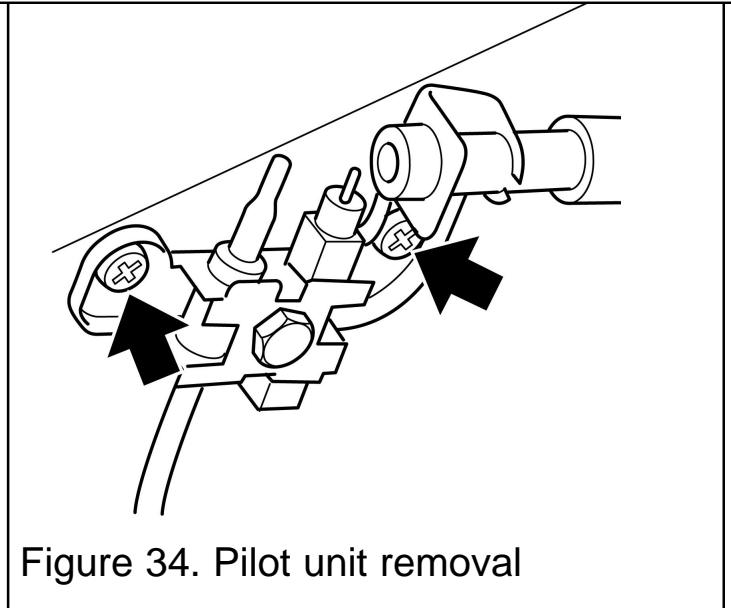


Figure 34. Pilot unit removal

Note: 1. The pilot unit is an atmosphere sensing device. It must be replaced as a whole assembly. Its individual components are not separately replaceable.

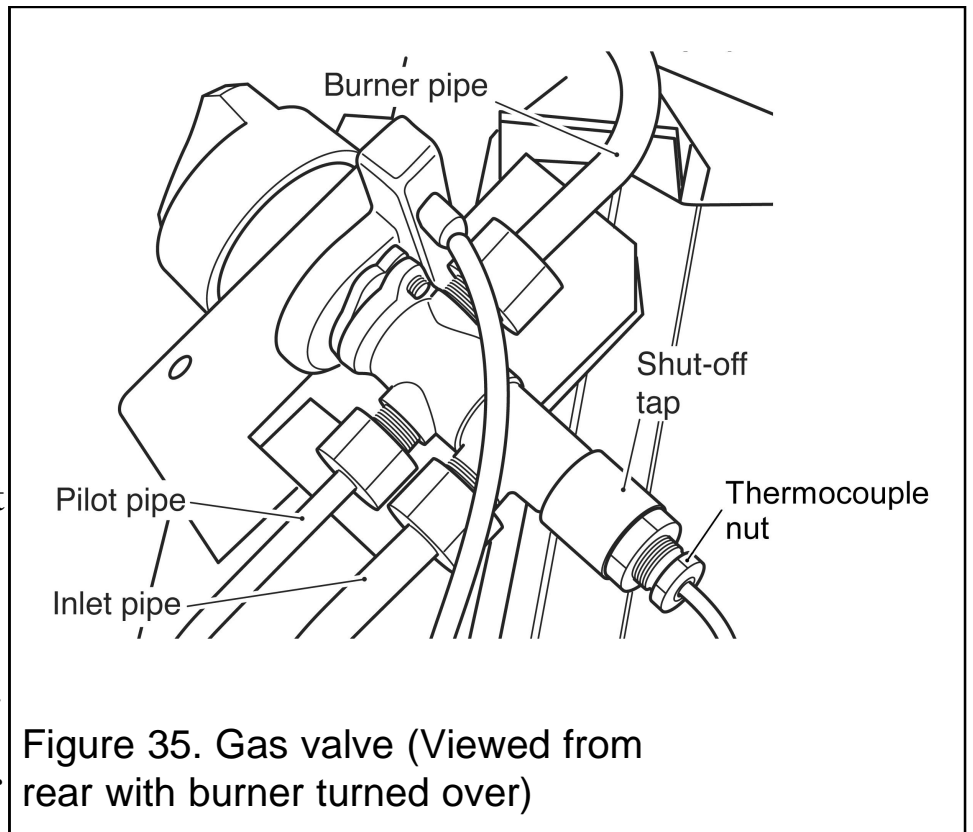
17.5 To Remove the gas valve

See figure 35.

1. Remove the burner unit - See section 17.3.
2. If lying the burner on its back, ensure that the worksurface is suitably protected. This will avoid damage to the worksurface. Turn the burner unit upside down. Detach the thermocouple from the tap
3. Detach the pilot pipe from the tap.
4. Detach the inlet pipe.

INSTALLER GUIDE

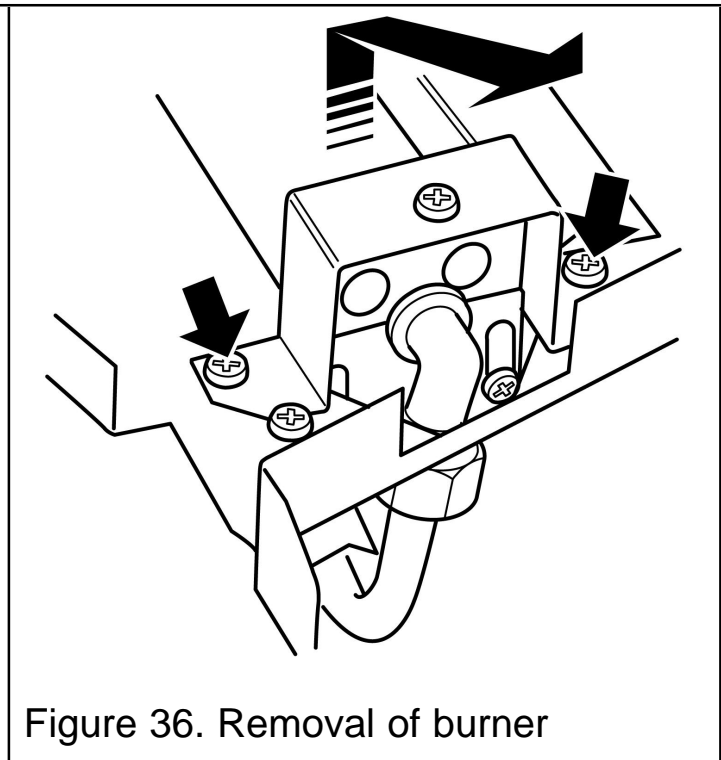
5. Detach the injector pipe
6. Detach the electrode lead from the base of the electrode
7. Remove the control knob by pulling forward.
8. Remove the thermocouple by unscrewing the thermocouple nut at the gas valve.
9. Remove the hexagonal nut securing the gas valve to the mounting bracket.
10. Remove the gas valve
11. Refit in the reverse order.



17.6 To Replace the Burner

See figure 36.

1. Remove the burner unit - See section 17.3.
2. Support the elbow injector and unscrew the injector nut.
3. Remove the two screws from the burner clamping plate (See figure 36)
4. Lift the right hand side of the burner, slide it to the right and lift clear
5. Refit in reverse order.



INSTALLER GUIDE

17.7 To Remove the Main Burner Injector

See figure 37.

1. Remove the burner - See section 17.6.
2. Remove the burner clamping screw (See figure 37)
3. Unscrew the injector from the burner
4. Refit in the reverse order.

17.8 To Remove the Appliance from the Fireplace

1. Remove the burner unit - See section 17.3.
2. If the fire retention is as method 1 (See section 9.1 of installation instructions), remove the screws.

If the fire retention is as method 2 (See section

9.2 of installation instructions), slacken the hexagonal adjusters on the cable retainers and unscrew the thumbscrews to release the cables.

3. Refit as described in the relevant installation sections. Make sure gas soundness, sealing, spillage test and performance are satisfactory.

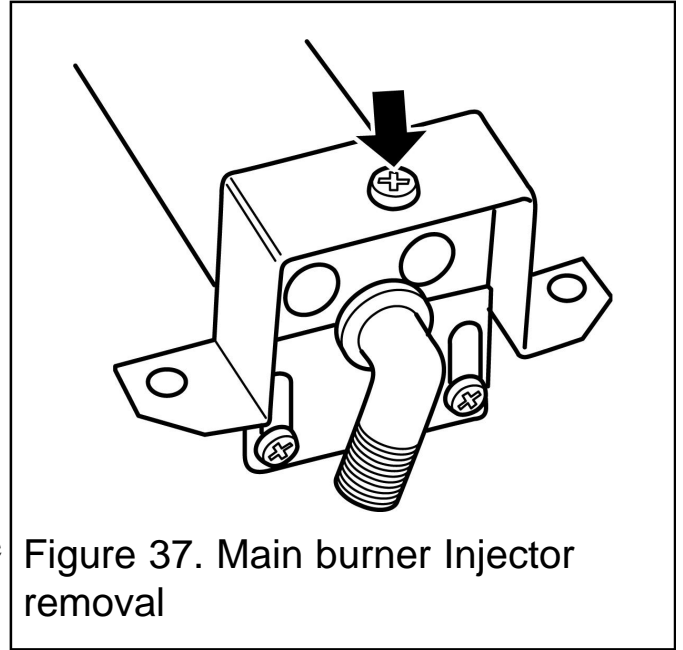
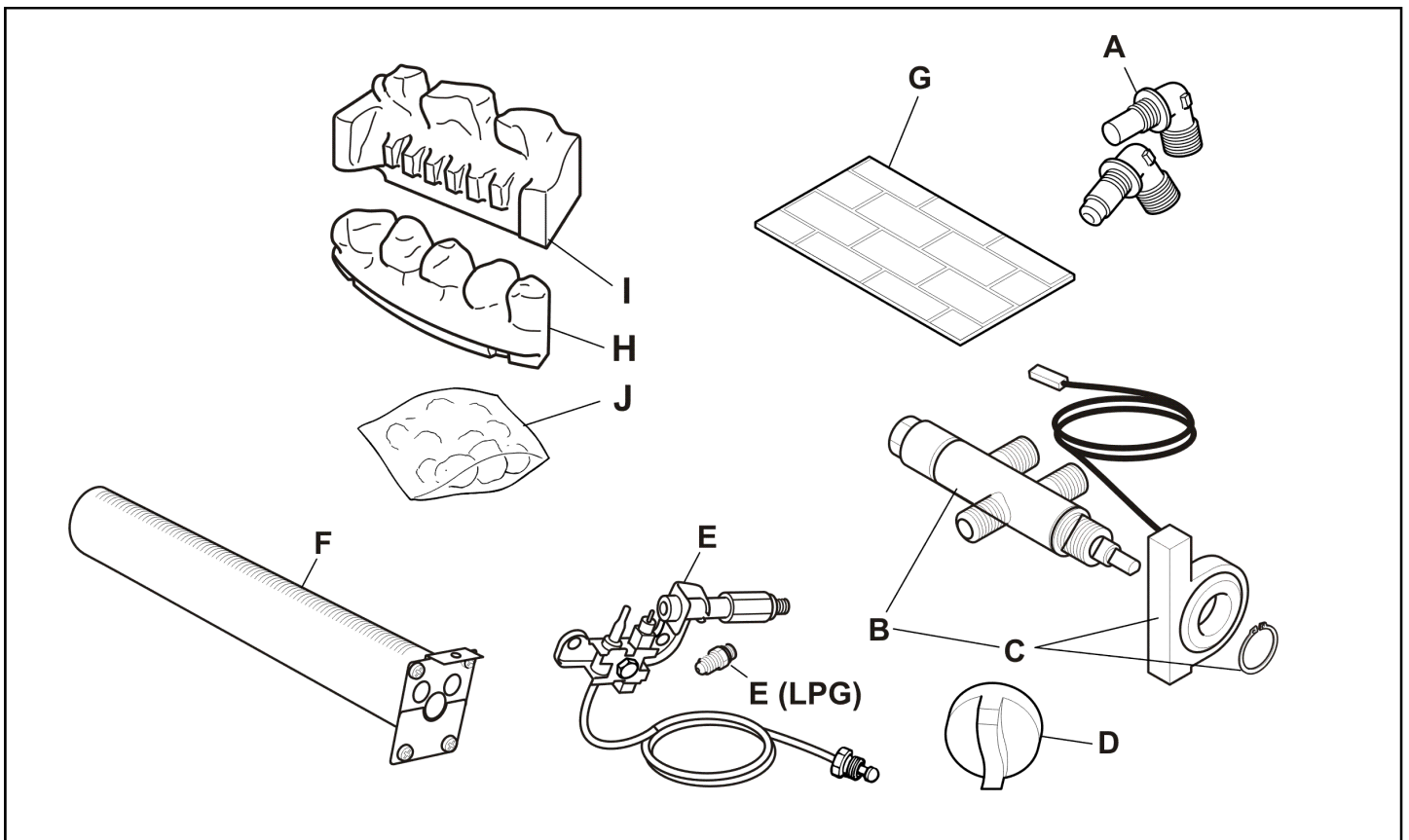


Figure 37. Main burner Injector removal

18. SHORT LIST OF SPARES



INSTALLER GUIDE

KEY	DESCRIPTION	NO. OFF	PART NO.
A	Injector-Stereomatic Cat 82 - 069 <i>For Natural Gas Appliances</i>	1	5108137
	Injector-Stereomatic Size 128 and carrier <i>For Propane Gas Appliances</i>		5108996
B	Gas tap & spark generator	1	3002983
C	Spark generator and circlip	1	5108923
D	Control knob	1	0545979
E	Pilot unit <i>For Natural Gas Appliances</i>	1	3002988
	Pilot injector (RBM 180 - 02) <i>For Propane Appliances</i>		5108552
F	Burner - <i>For Natural Gas Appliances</i>	1	5108621
	Burner - <i>For Propane Gas Appliances</i>		5109353
G	Ceramic rear wall	1	0579399
H	Front coal	1	5108541
I	Rear base coal	1	5108542
J	Pack of loose coals	1	0582839